

PLOT 53/14

PLOT 53/13

PLOT 53/12

PLOT 53/11

TENDER DRAWING

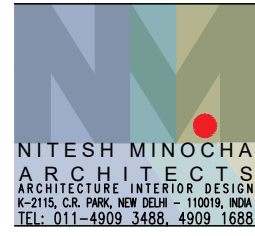
- TYPES OF WALLS**
- 225mm BRICK WORK
 - 150mm BRICK WORK
 - 115mm BRICK WORK
 - 100mm BLOCK

DOOR SCHEDULE

| LEGENDS | SIZE |
|---------|-----------|
| (D1) | 990X2420 |
| (D2) | 915X2420 |
| (D3) | 765X2420 |
| (D4) | 765X2110 |
| (SD1) | 1145X2420 |
| (SD2) | 2015X2420 |
| (SD3) | 3165X2420 |

WINDOW SCHEDULE

| LEGENDS | SIZE |
|---------|-----------|
| (W1) | 1070X2420 |
| (W2) | 840X1430 |
| (W3) | 1985X2420 |
| (W4) | 765X2420 |
| (W5) | 610X1430 |
| (W6) | 1525X2420 |
| (W7) | 3165X2420 |
| (W8) | 840X2420 |
| (W9) | 765X1430 |



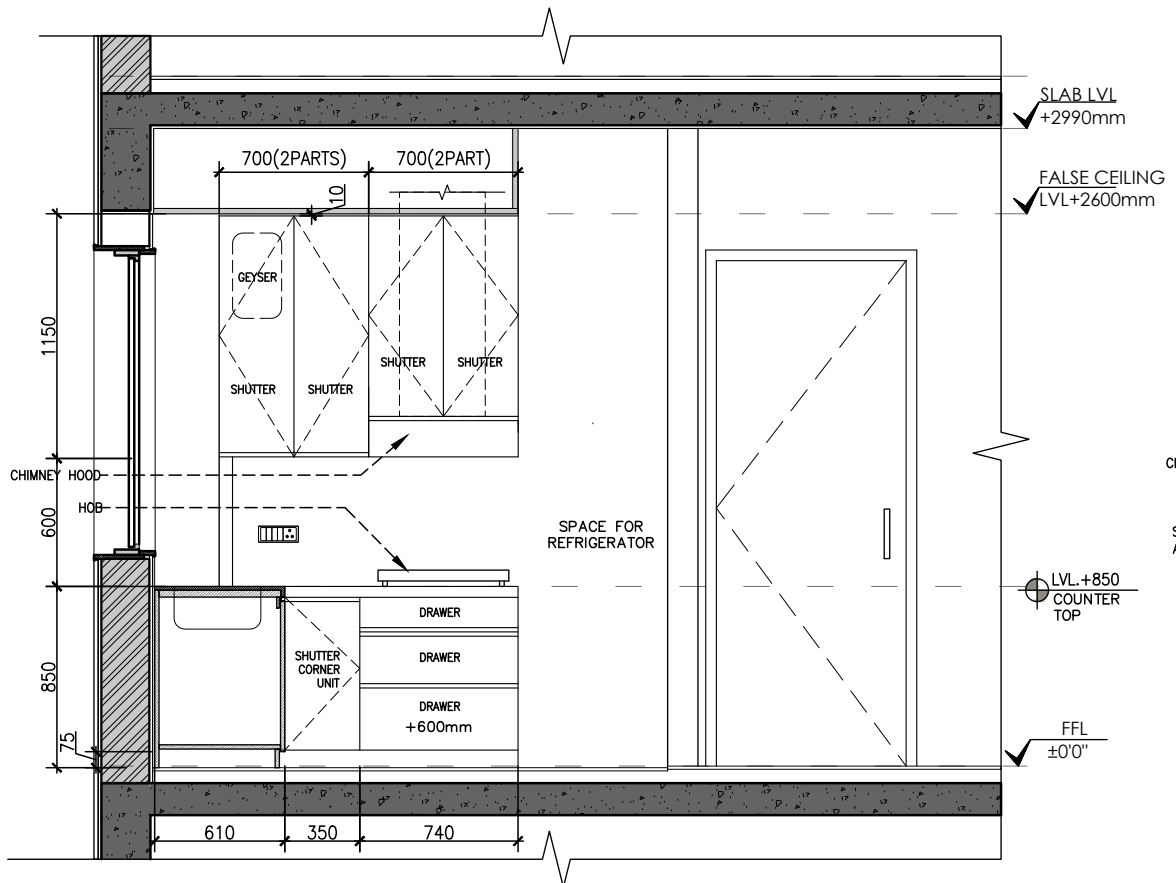
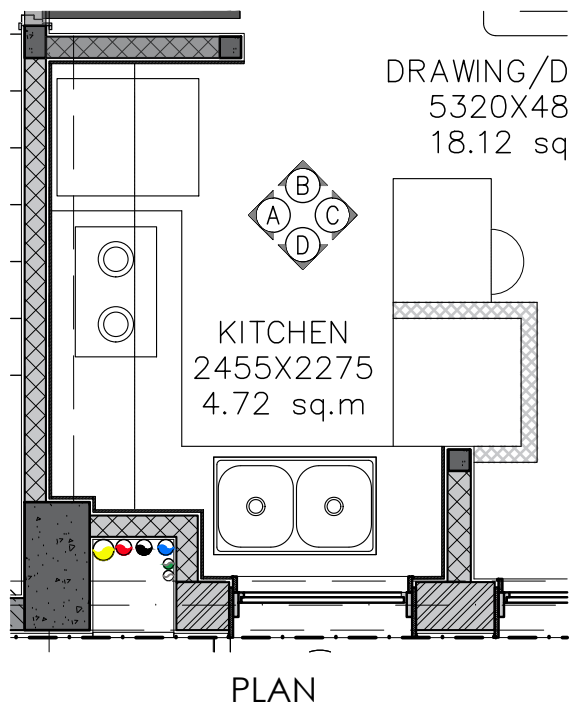
PROJECT
STAFF RESIDENCE FOR SET ON PLOTS 53/11,12,13,14 AT RAJINDER NAGAR

DWG. TITLE
TYPICAL FLOOR- WOODWORK KEY PLAN

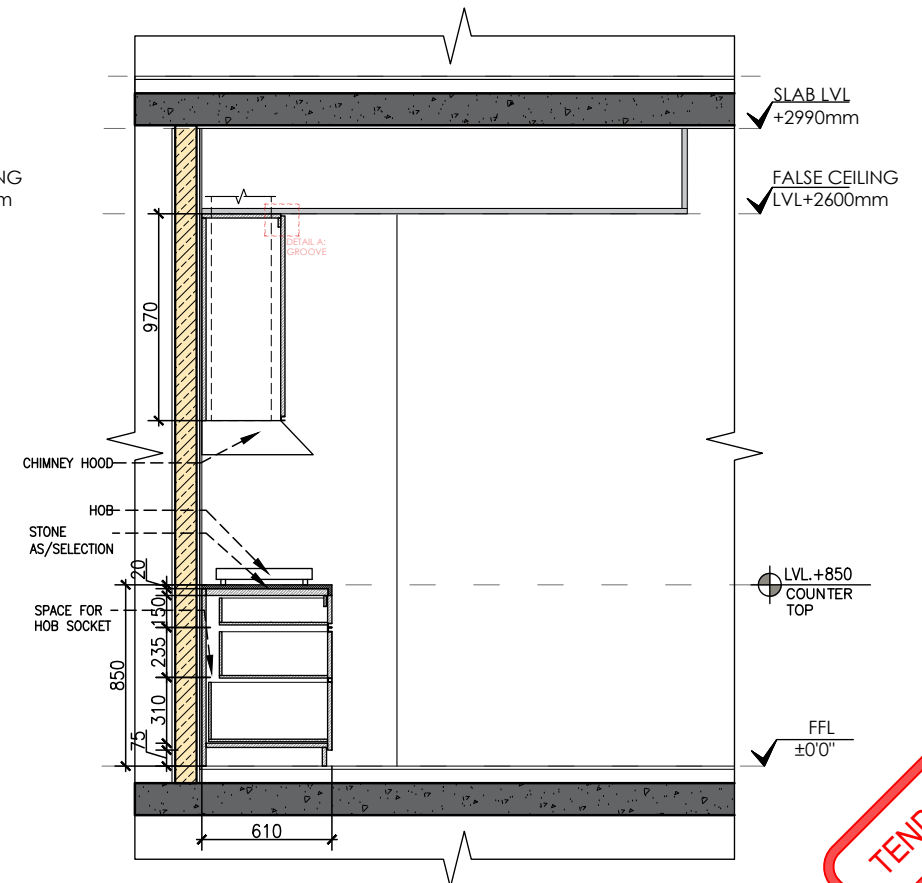
Notes :-
 1. All dimensions are in mm.
 2. Dimensions are to be read and not measured
 3. Any discrepancy in the drawing should be brought to the notice of the architect and no deviation should be made without the approval of the architect.
 4. The dwgs. are the copyright of the architect and should not be used for any unauthorised reason.
 5. All beams, columns, slab sizes and reinforcement details are as per structural drawings.
 6. All dimensions are finished dimensions unless mentioned and tolerances for plaster finishing have to be left as reqd.

DWG. NO
NMA- SSR-MW-101-R0

| | |
|----------|----------------|
| FILE | RO_SSR_AUTOCAD |
| DATE | 23_02_2023 |
| DEALT BY | SURYA |
| SCALE | NTS |

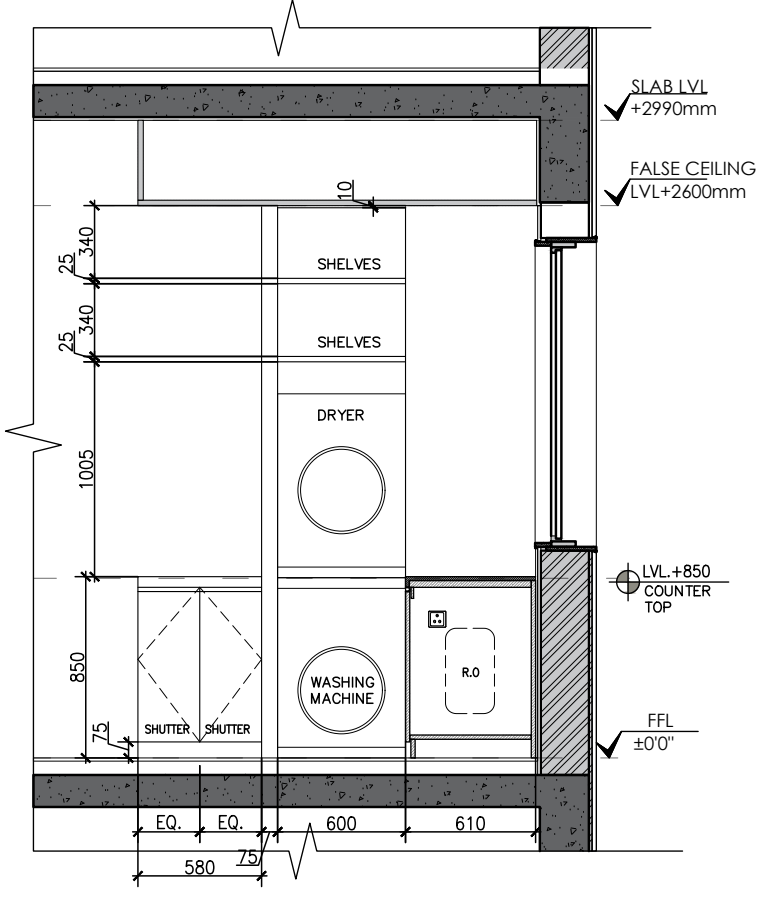
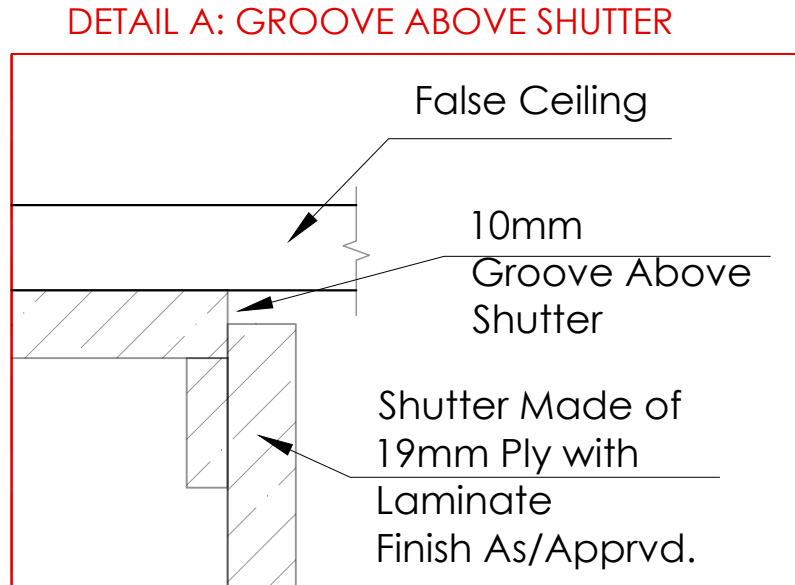


ELEVATION A

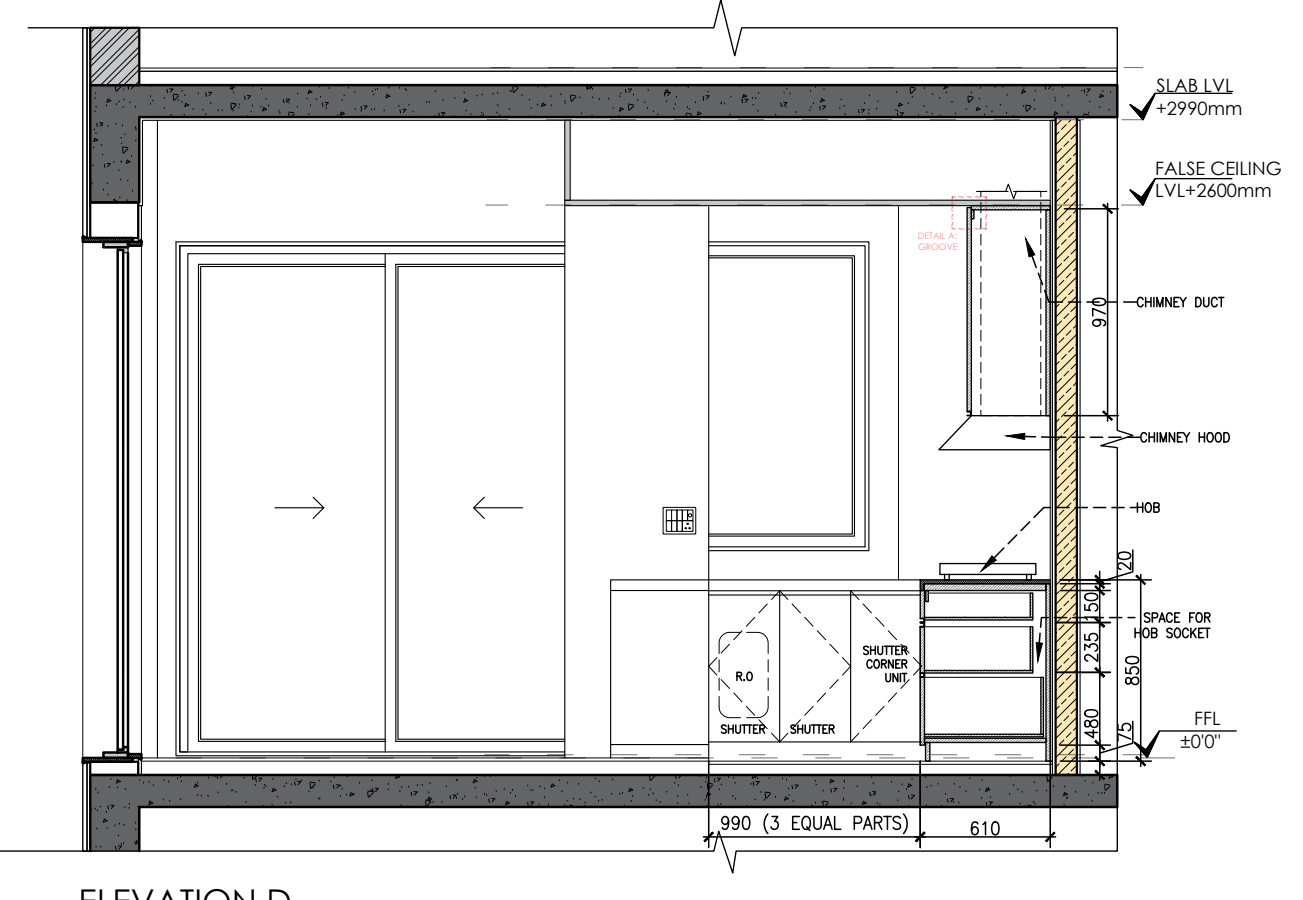


ELEVATION B

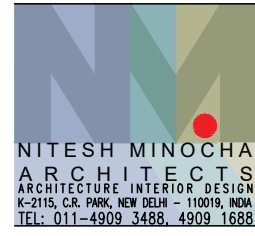
TENDER DRAWING



ELEVATION C



ELEVATION D

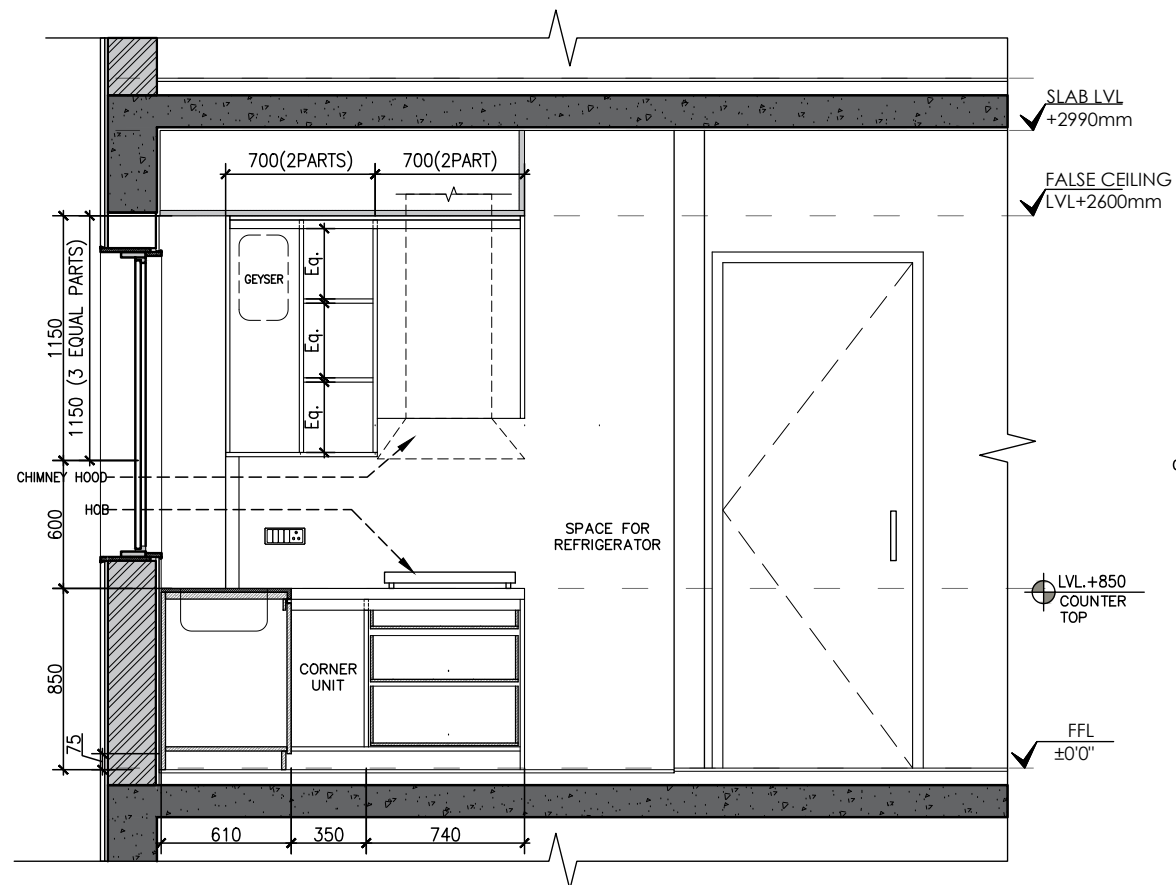


PROJECT
STAFF RESIDENCE FOR SET ON PLOTS 53/11,12,13,14 AT RAJINDER NAGAR

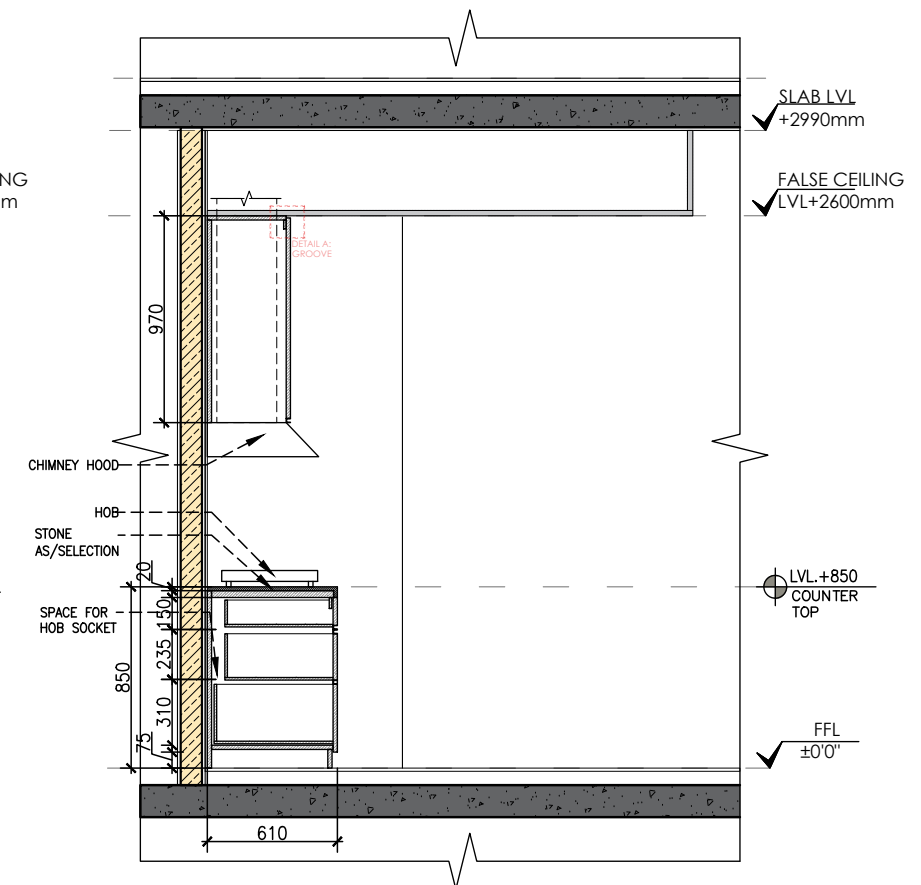
DWG. TITLE
TYPICAL FLOOR KICTHEN DETAIL (A)

Notes :-
1. All dimensions are in mm.
2. Dimensions are to be read and not measured
3. Any discrepancy in the drawing should be brought to the notice of the architect and no deviation should be made without the approval of the architect.
4. The dwgs. are the copyright of the architect and should not be used for any unauthorised reason.
5. All beams, columns, slab sizes and reinforcement details are as per structural drawings.
6. All dimensions are finished dimensions unless mentioned and tolerances for plaster finishing have to be left as reqd.

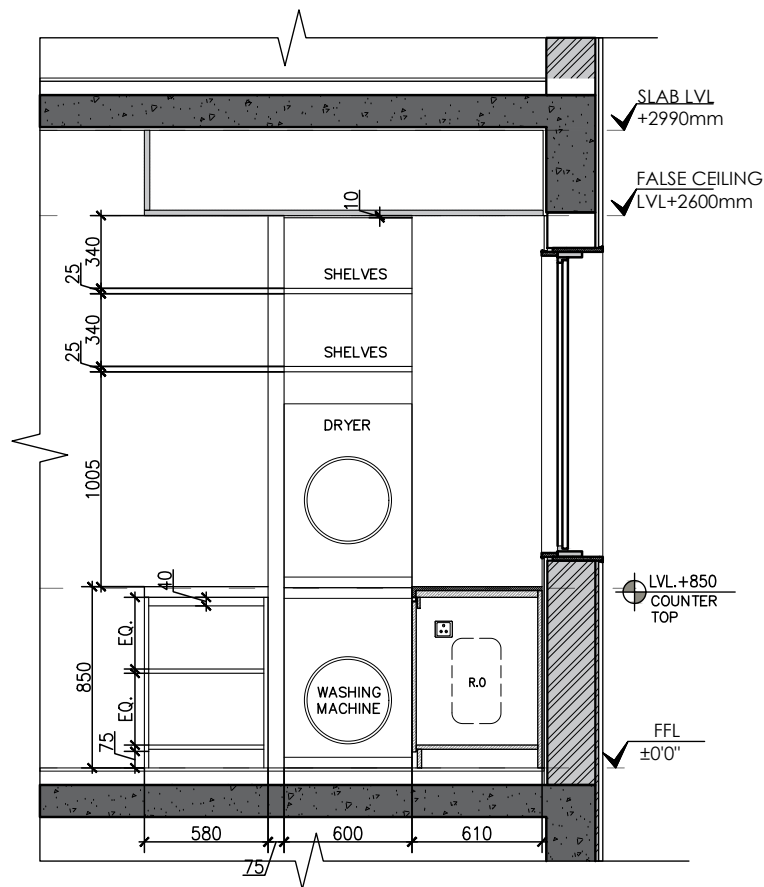
| | |
|--------------------------------------|----------------|
| DWG. NO NMA-SSR-MW-102A-R0 | |
| FILE | RO_SSR_AUTOCAD |
| DATE | 23_02_2023 |
| DEALT BY | ADITI |
| SCALE | NTS |



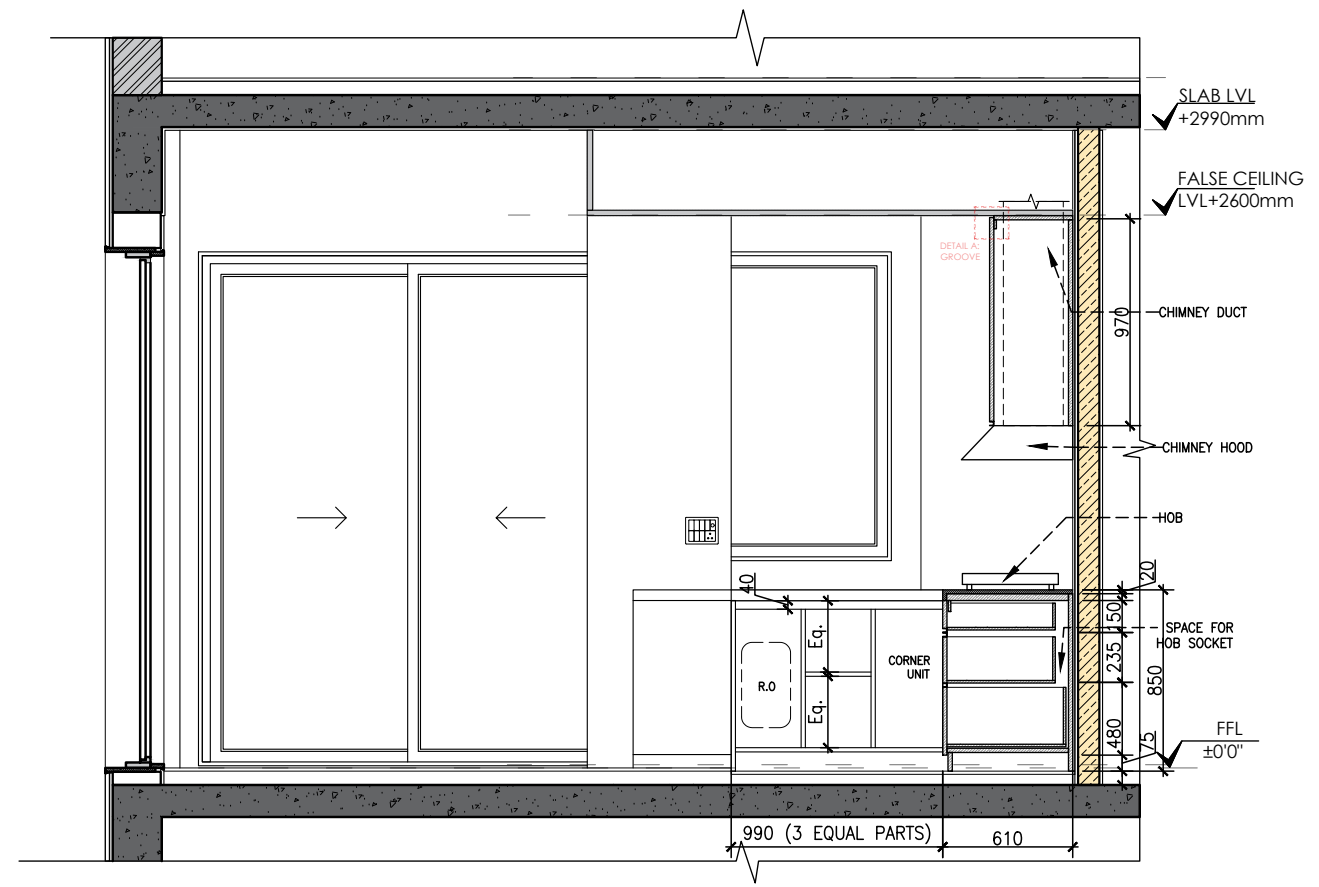
ELEVATION A



ELEVATION B

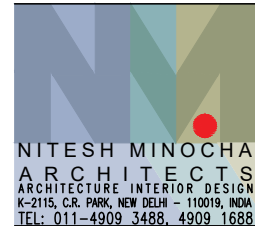


ELEVATION C



ELEVATION D

TENDER DRAWING



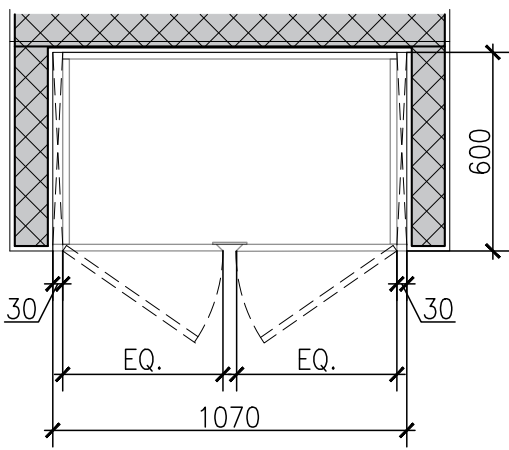
PROJECT
STAFF RESIDENCE FOR SET ON PLOTS 53/11,12,13,14 AT RAJINDER NAGAR

DWG. TITLE
TYPICAL FLOOR KICTHEN DETAIL (A): ELEVATIONS WITHOUT SHUTTERS

Notes :-
 1. All dimensions are in mm.
 2. Dimensions are to be read and not measured
 3. Any discrepancy in the drawing should be brought to the notice of the architect and no deviation should be made without the approval of the architect.
 4. The dwgs. are the copyright of the architect and should not be used for any unauthorised reason.
 5. All beams, columns, slab sizes and reinforcement details are as per structural drawings.
 6. All dimensions are finished dimensions unless mentioned and tolerances for plaster finishing have to be left as reqd.

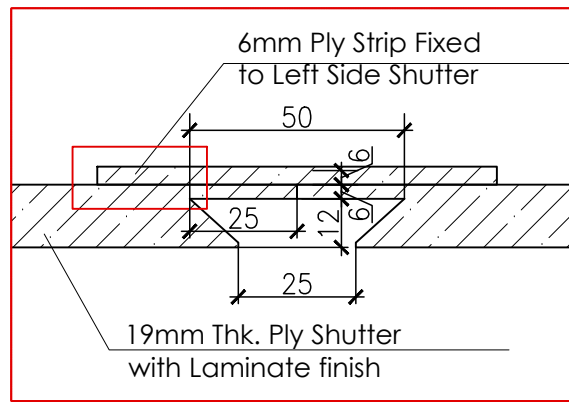
| | |
|---------------------------|----------------|
| DWG. NO | |
| NMA-SSR-MW-102B-R0 | |
| FILE | RO_SSR_AUTOCAD |
| DATE | 23_02_2023 |
| DEALT BY | ADITI |
| SCALE | NTS |



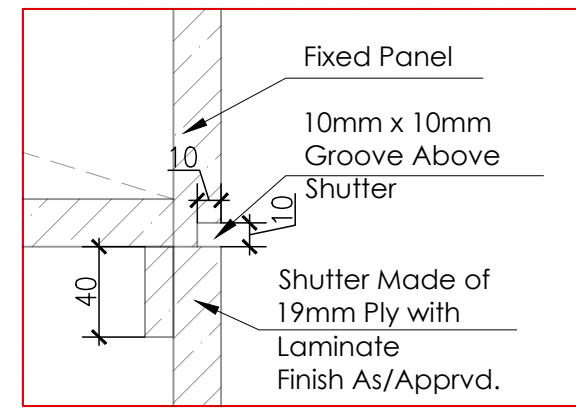


WARDROBE A: PLAN

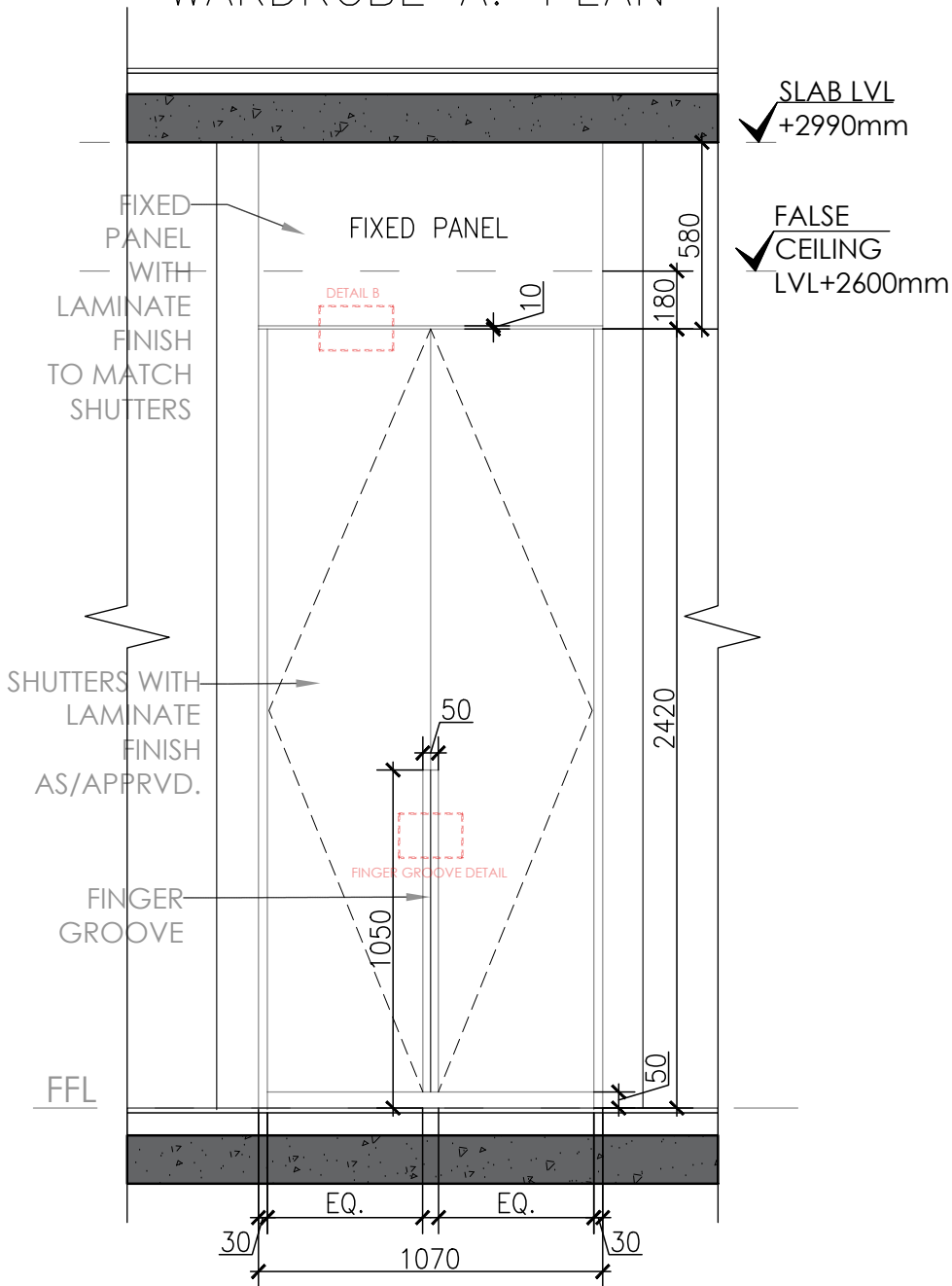
DETAIL A: FINGER GROOVE DETAIL



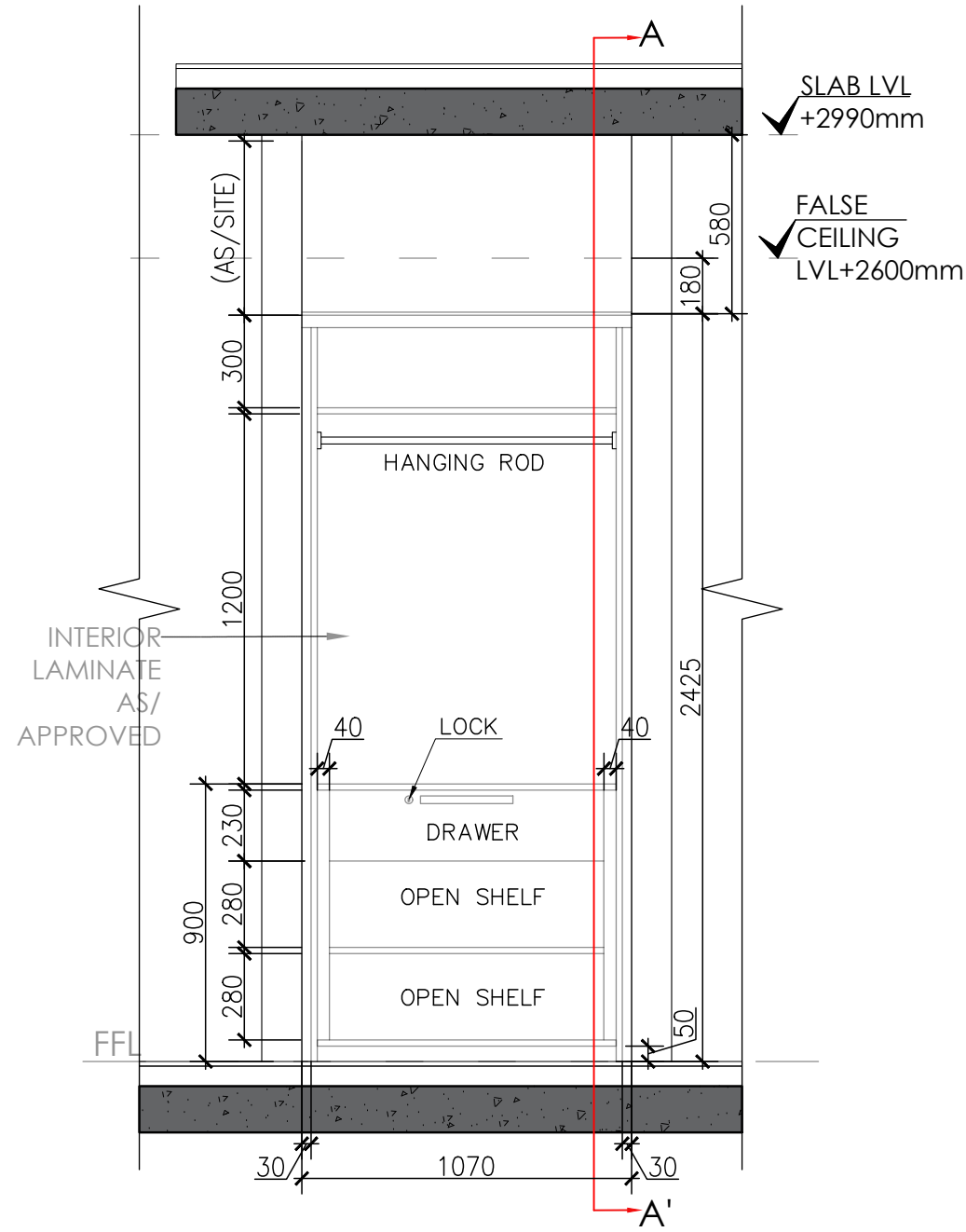
DETAIL B: GROOVE ABOVE SHUTTER



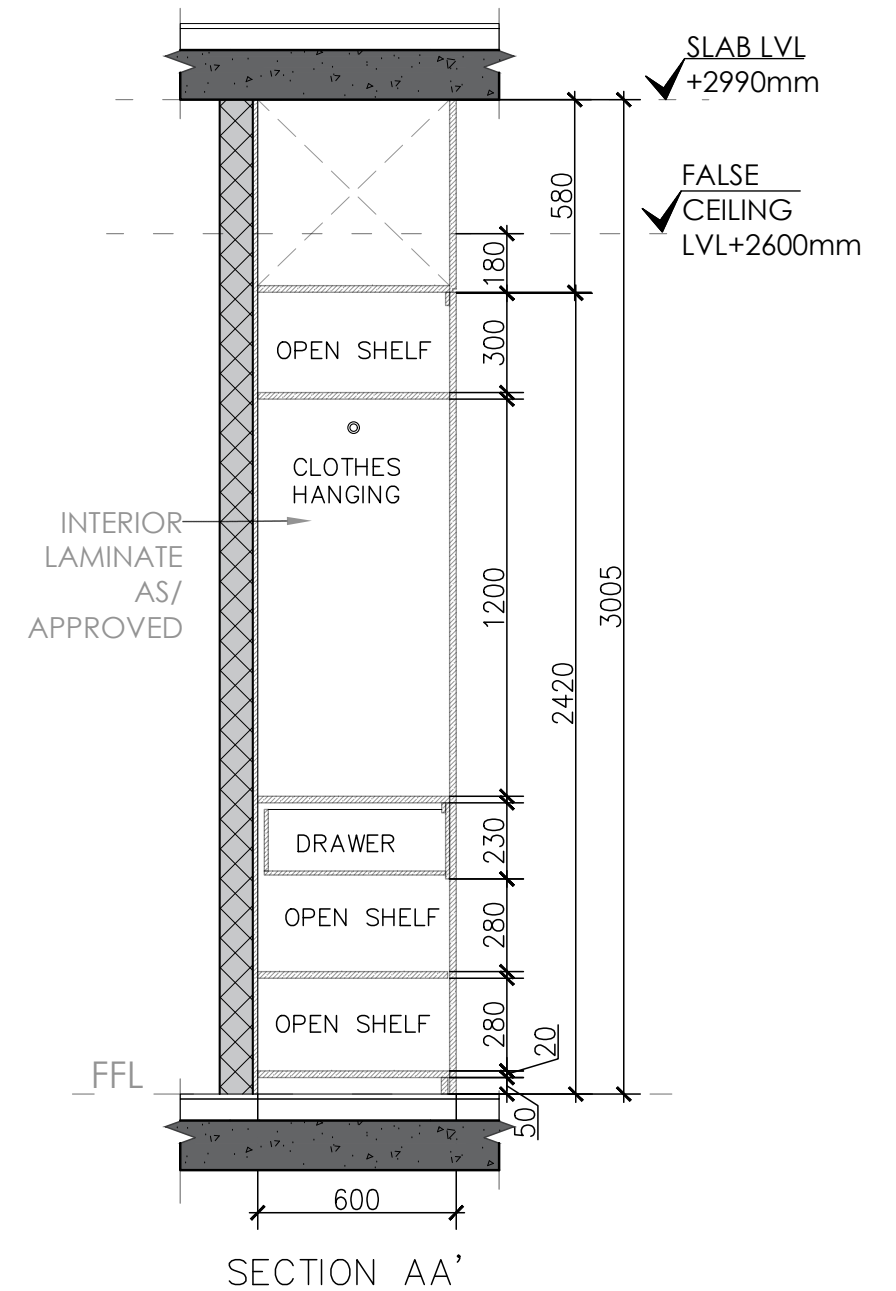
TENDER DRAWING



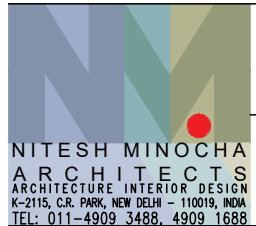
WARDROBE (EXTERNAL ELEVATION)



WARDROBE (INTERNAL ELEVATION)



SECTION AA'



PROJECT

STAFF RESIDENCE FOR SET ON PLOTS 53/11,12,13,14 AT RAJINDER NAGAR

DWG. TITLE

TYPICAL FLOOR WARDROBE DETAIL

Notes :-

1. All dimensions are in mm.
2. Dimensions are to be read and not measured
3. Any discrepancy in the drawing should be brought to the notice of the architect and no deviation should be made without the approval of the architect.
4. The dwgs. are the copyright of the architect and should not be used for any unauthorised reason.
5. All beams, columns, slab sizes and reinforcement details are as per structural drawings.
6. All dimensions are finished dimensions unless mentioned and tolerances for plaster finishing have to be left as reqd.

DWG. NO

NMA-SSR-MW-103-R0

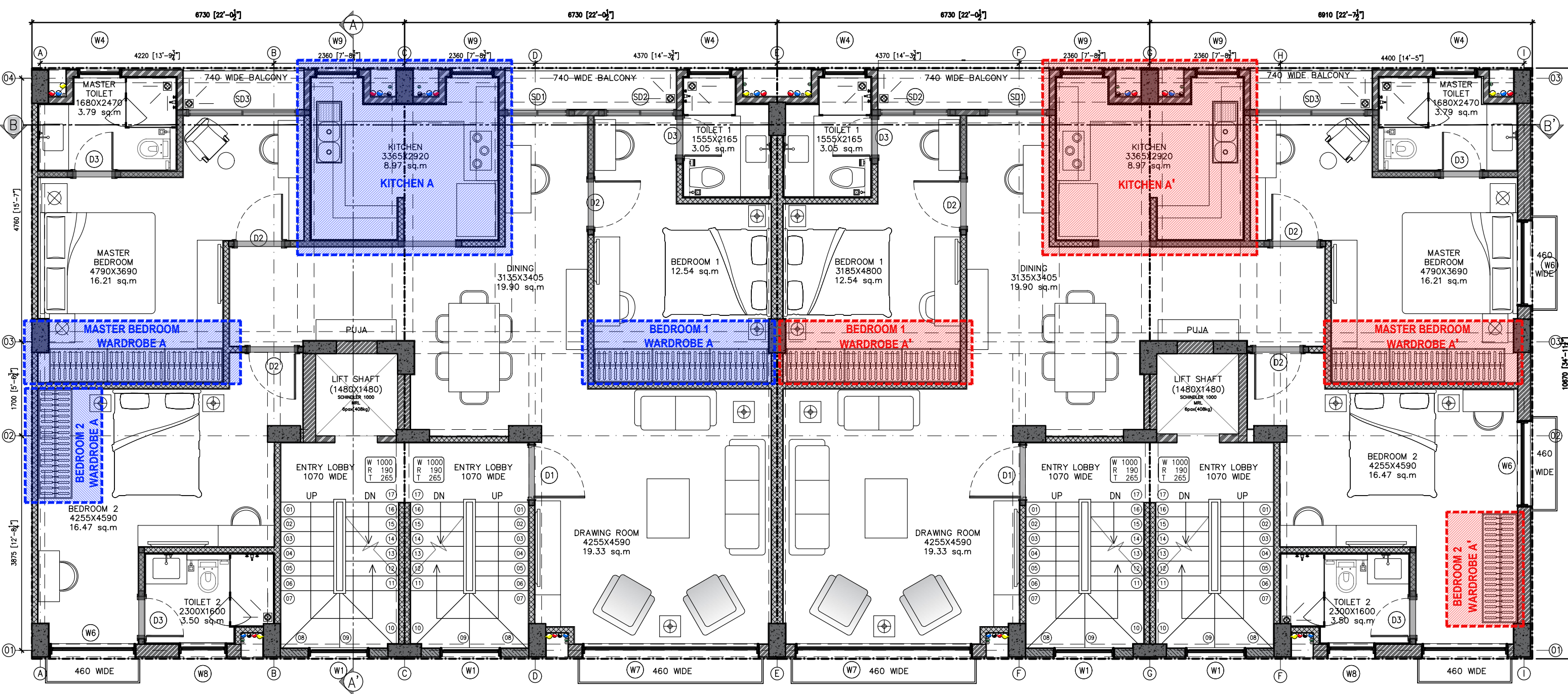
FILE RO_SSR_AUTOCAD

DATE 23_02_2023

DEALT BY ADITI

SCALE NTS





PLOT 53/14

PLOT 53/13

PLOT 53/12

PLOT 53/11

TENDER DRAWING

TYPES OF WALLS

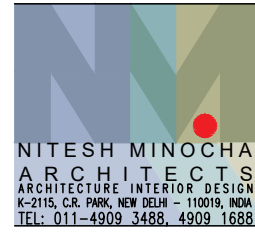
- 225mm BRICK WORK
- 150mm BRICK WORK
- 115mm BRICK WORK
- 100mm BLOCK

DOOR SCHEDULE

| LEGENDS | SIZE |
|---------|-----------|
| (D1) | 990X2420 |
| (D2) | 915X2420 |
| (D3) | 765X2420 |
| (D4) | 765X2110 |
| (SD1) | 1145X2420 |
| (SD2) | 2015X2420 |
| (SD3) | 3165X2420 |

WINDOW SCHEDULE

| LEGENDS | SIZE |
|---------|-----------|
| (W1) | 1070X2420 |
| (W2) | 840X1430 |
| (W3) | 1985X2420 |
| (W4) | 765X2420 |
| (W5) | 610X1430 |
| (W6) | 1525X2420 |
| (W7) | 3165X2420 |
| (W8) | 840X2420 |
| (W9) | 765X1430 |



PROJECT
STAFF RESIDENCE FOR SET ON PLOTS 53/11,12,13,14 AT RAJINDER NAGAR

DWG. TITLE
FOURTH FLOOR - WOODWORK KEY PLAN

Notes :-
 1. All dimensions are in mm.
 2. Dimensions are to be read and not measured
 3. Any discrepancy in the drawing should be brought to the notice of the architect and no deviation should be made without the approval of the architect.
 4. The dwgs. are the copyright of the architect and should not be used for any unauthorised reason.
 5. All beams, columns, slab sizes and reinforcement details are as per structural drawings.
 6. All dimensions are finished dimensions unless mentioned and tolerances for plaster finishing have to be left as reqd.

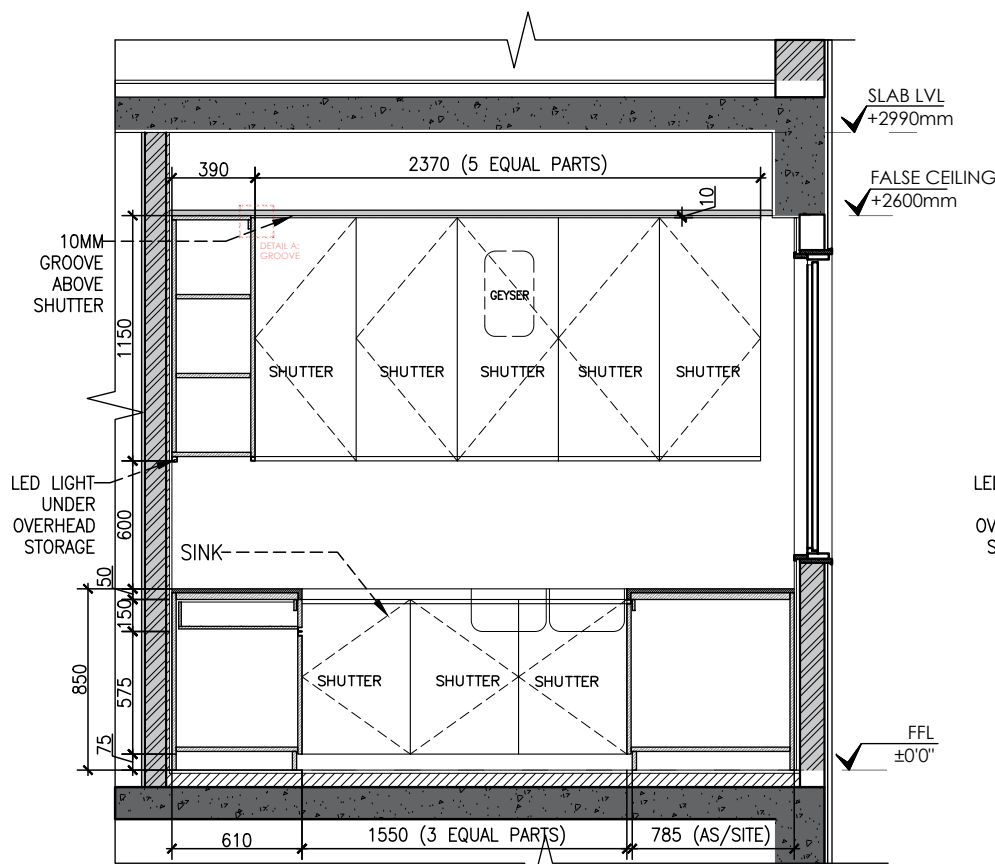
DWG. NO
NMA-SSR-MW-104-R0

| | |
|----------|----------------|
| FILE | RO_SSR_AUTOCAD |
| DATE | 23_02_2023 |
| DEALT BY | SURYA |
| SCALE | NTS |

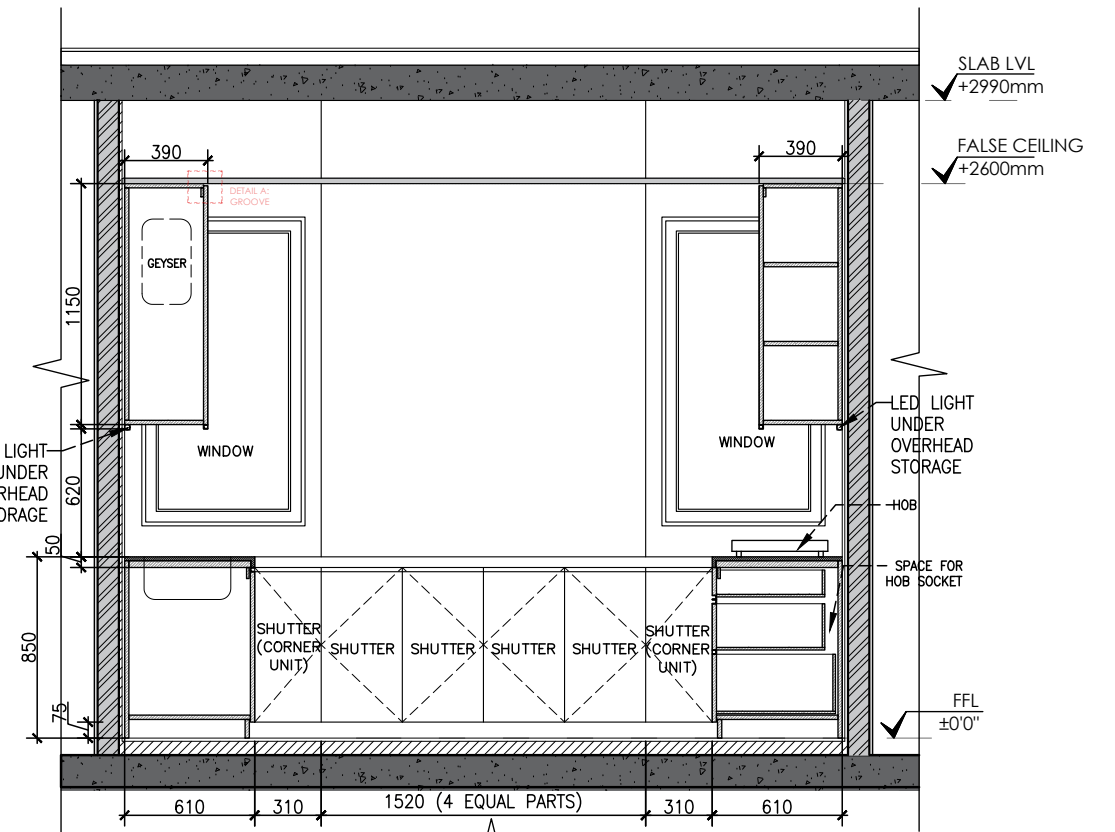




KITCHEN (PLAN)

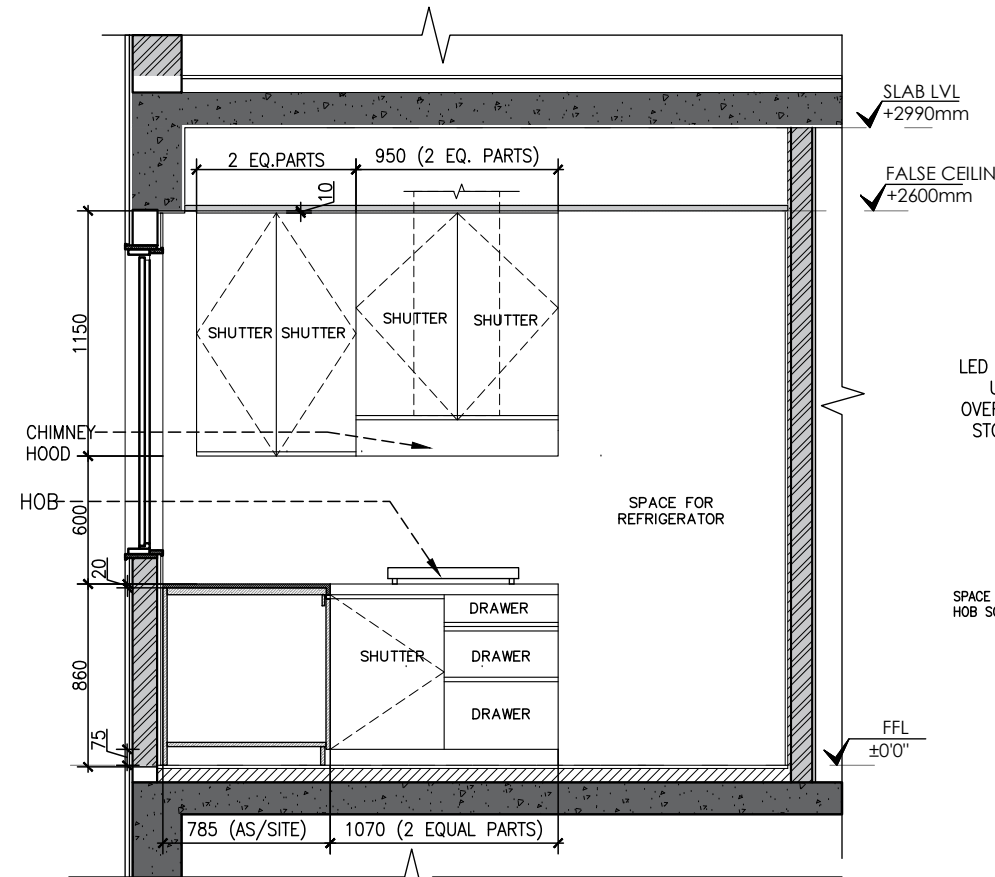
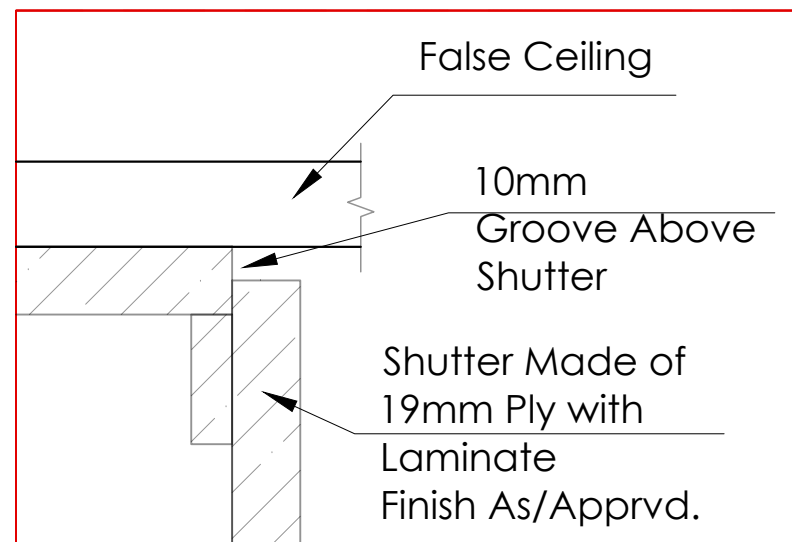


ELEVATION A

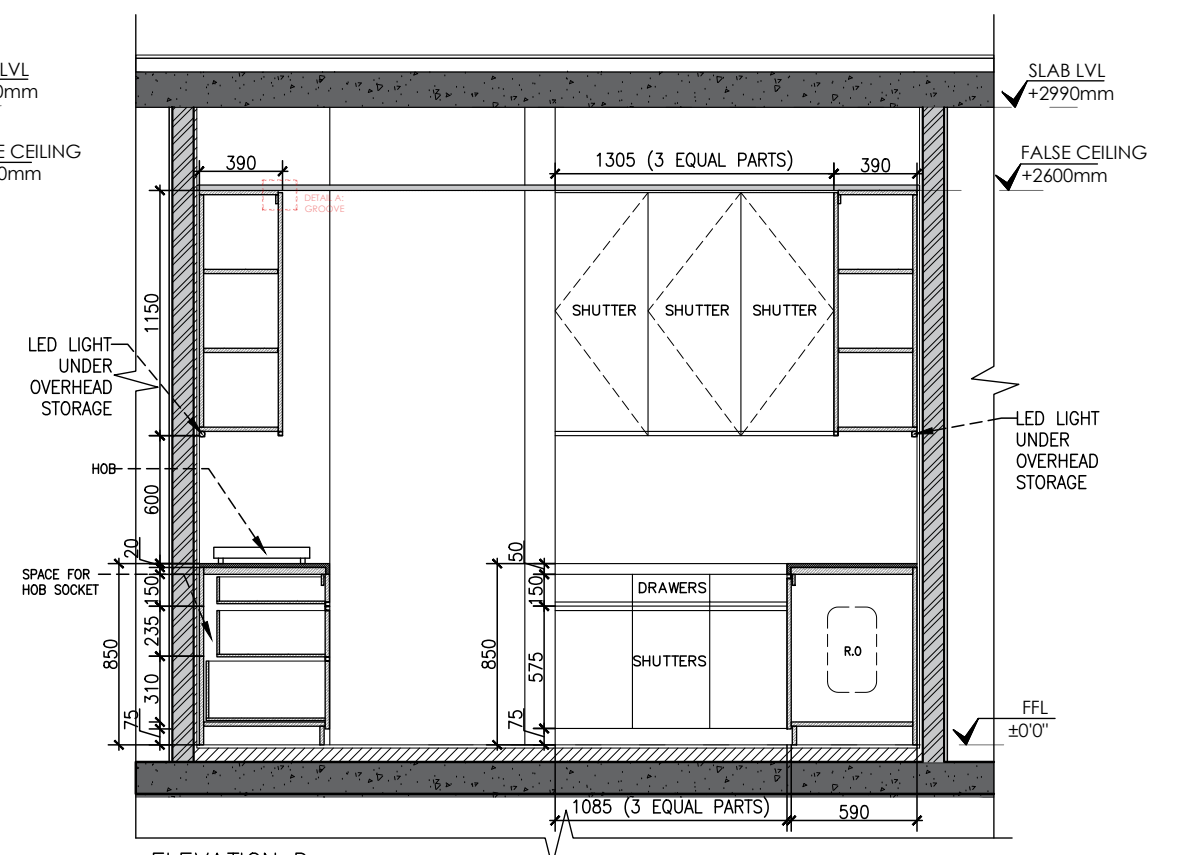


ELEVATION B

DETAIL A: GROOVE ABOVE SHUTTER



ELEVATION C



ELEVATION D

TENDER DRAWING

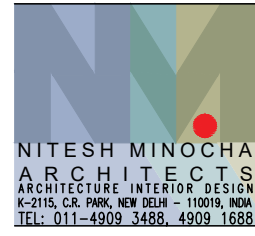
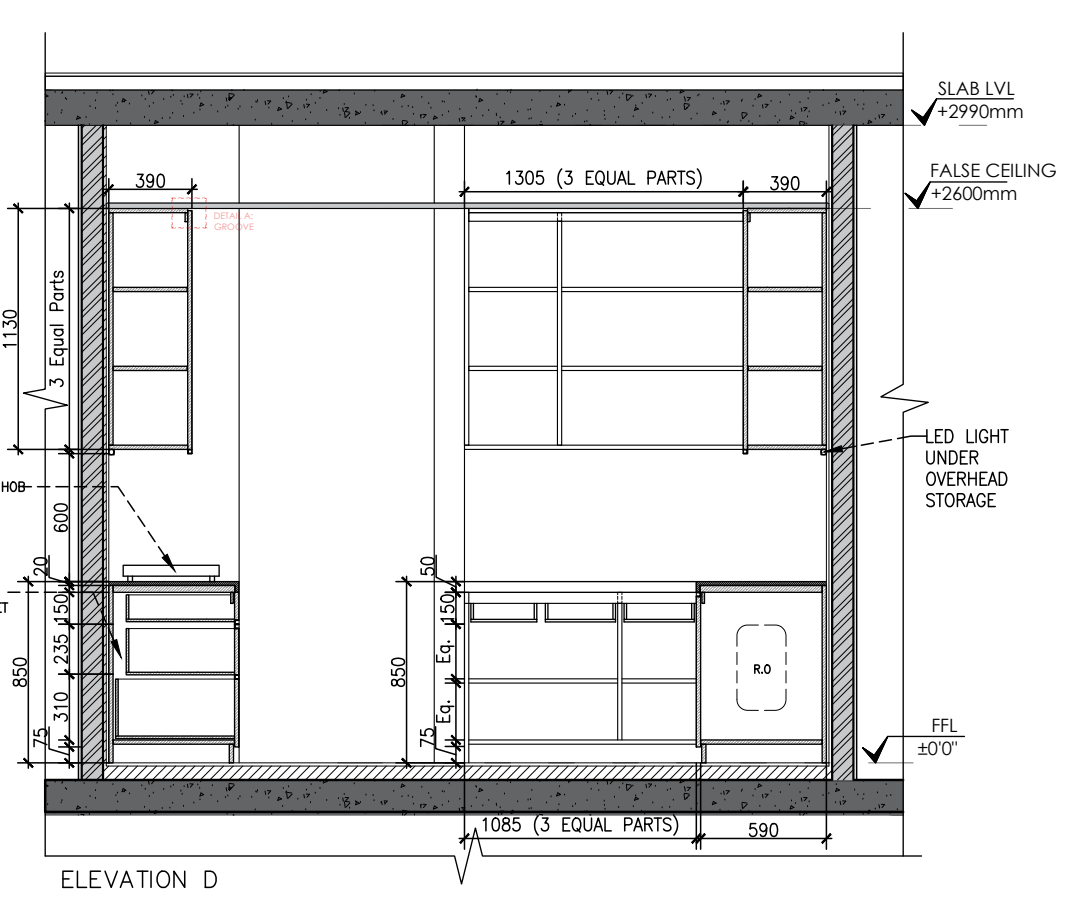
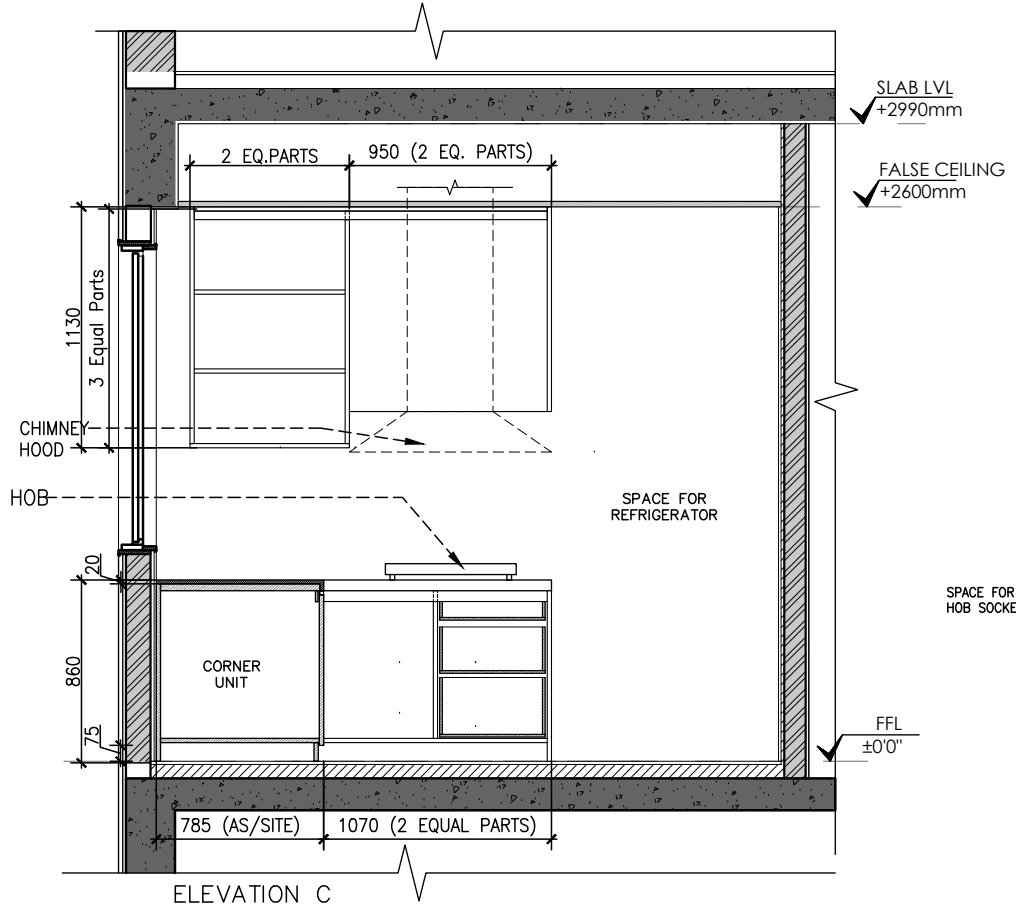
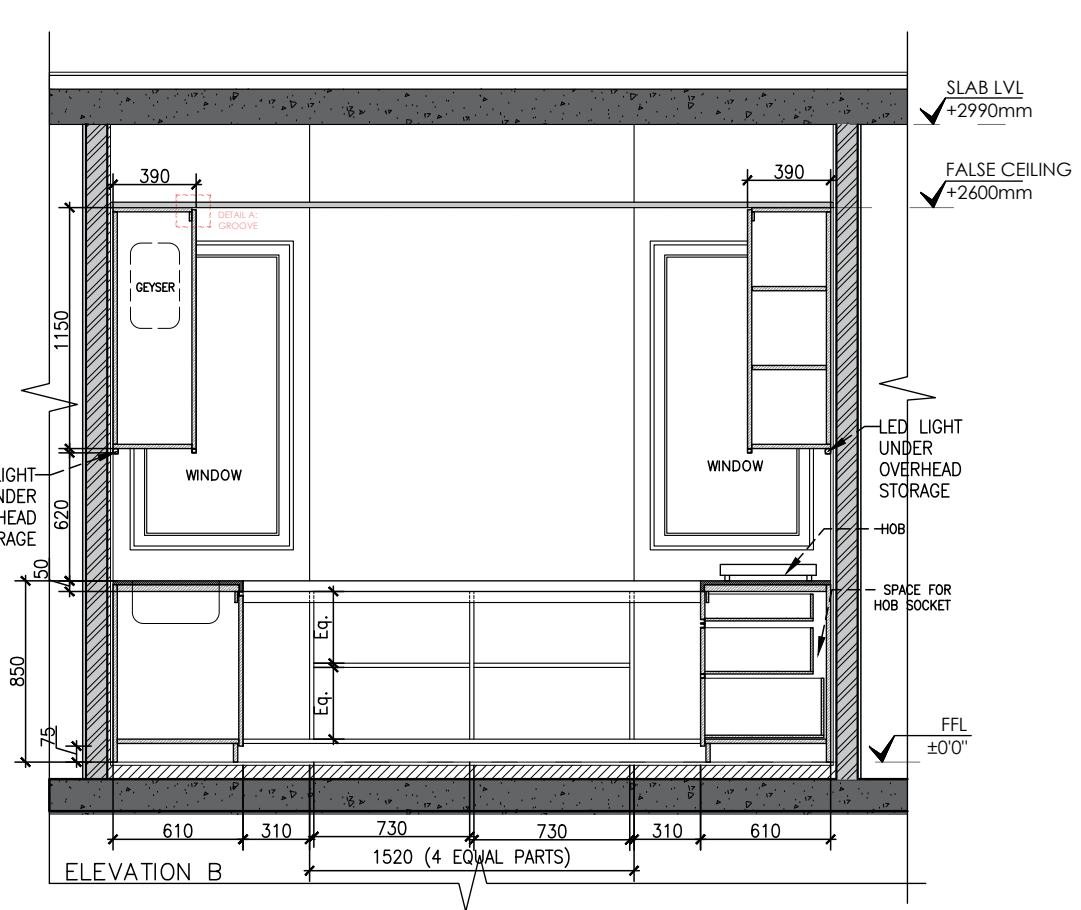
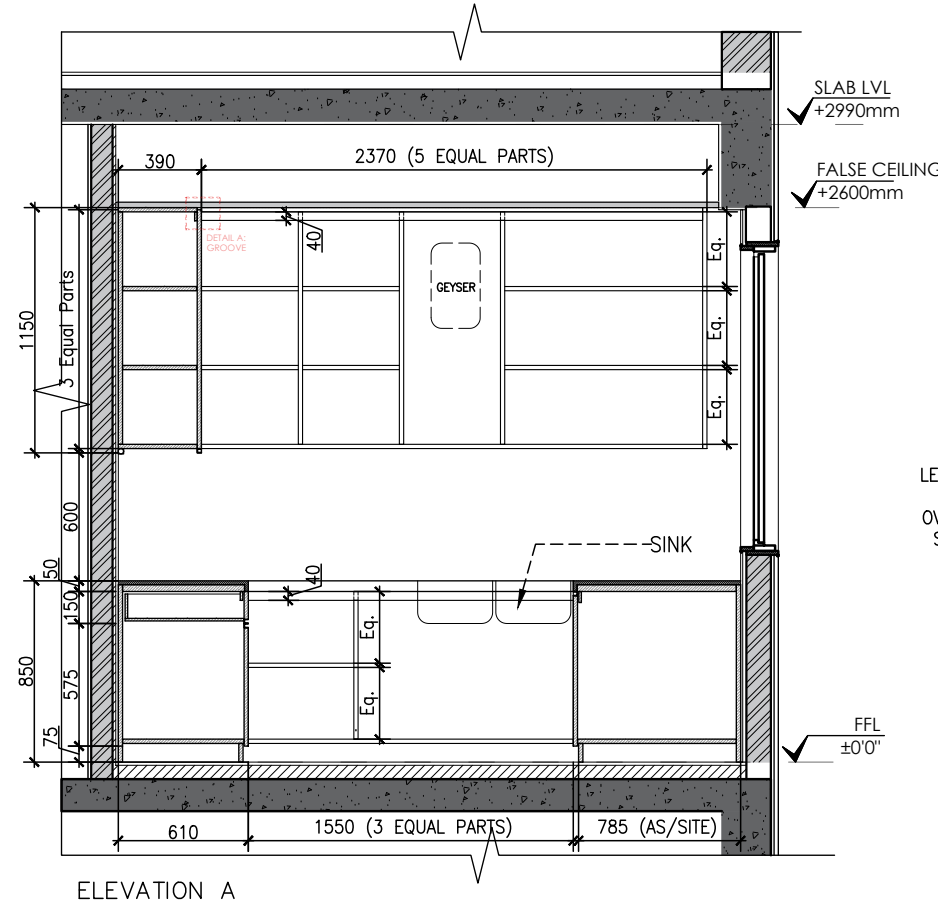
PROJECT
STAFF RESIDENCE FOR SET ON PLOTS 53/11,12,13,14 AT RAJINDER NAGAR

DWG. TITLE
FOURTH FLOOR KICTHEN DETAIL (A)

Notes :-
 1. All dimensions are in mm.
 2. Dimensions are to be read and not measured
 3. Any discrepancy in the drawing should be brought to the notice of the architect and no deviation should be made without the approval of the architect.
 4. The dwgs. are the copyright of the architect and should not be used for any unauthorised reason.
 5. All beams, columns, slab sizes and reinforcement details are as per structural drawings.
 6. All dimensions are finished dimensions unless mentioned and tolerances for plaster finishing have to be left as reqd.

| | |
|---------------------------|----------------|
| DWG. NO | |
| NMA-SSR-MW-105A-R0 | |
| FILE | RO_SSR_AUTOCAD |
| DATE | 23_02_2023 |
| DEALT BY | ADITI |
| SCALE | NTS |

TENDER DRAWING



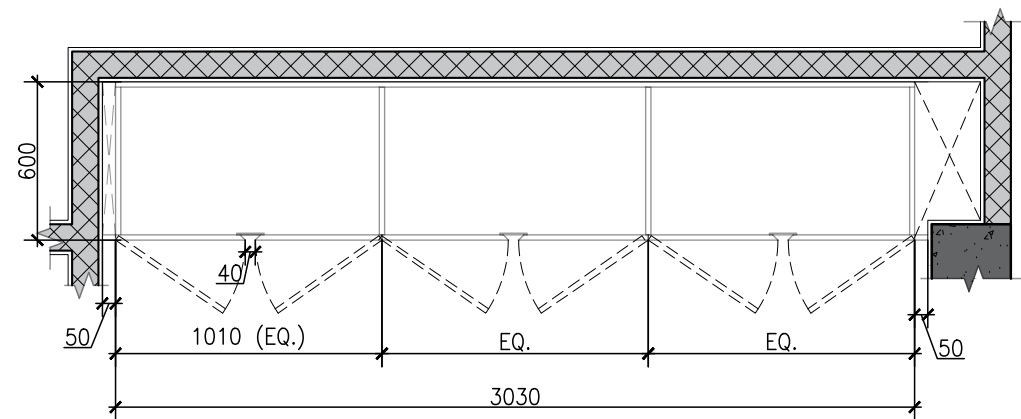
PROJECT
STAFF RESIDENCE FOR SET ON PLOTS 53/11,12,13,14 AT RAJINDER NAGAR

DWG. TITLE
FOURTH FLOOR KICTHEN DETAIL (A): ELEVATIONS WITHOUT SHUTTERS

Notes :-
 1. All dimensions are in mm.
 2. Dimensions are to be read and not measured
 3. Any discrepancy in the drawing should be brought to the notice of the architect and no deviation should be made without the approval of the architect.
 4. The dwgs. are the copyright of the architect and should not be used for any unauthorised reason.
 5. All beams, columns, slab sizes and reinforcement details are as per structural drawings.
 6. All dimensions are finished dimensions unless mentioned and tolerances for plaster finishing have to be left as reqd.

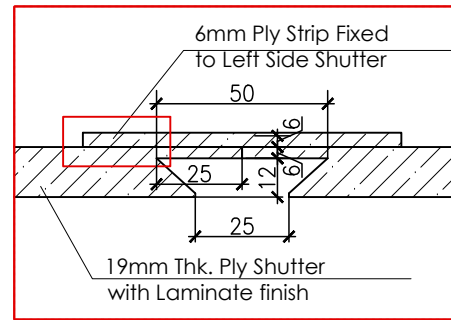
| | |
|--------------------------------------|----------------|
| DWG. NO NMA-SSR-MW-105B-R0 | |
| FILE | RO_SSR_AUTOCAD |
| DATE | 23_02_2023 |
| DEALT BY | ADITI |
| SCALE | NTS |



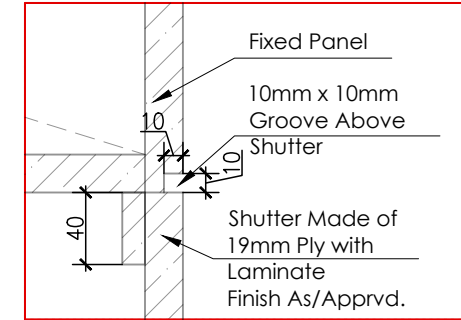


MASTER BEDROOM WARDROBE: PLAN

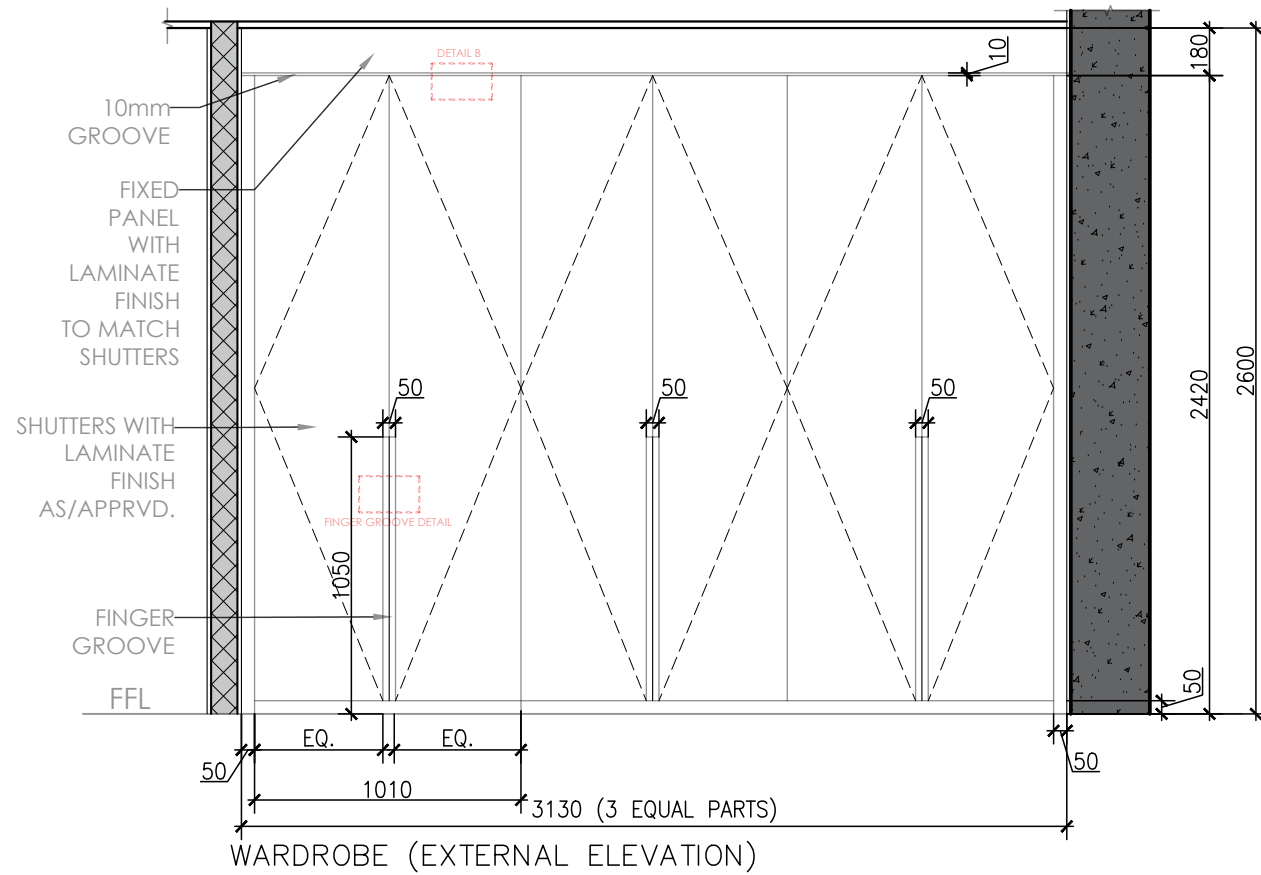
DETAIL A: FINGER GROOVE DETAIL



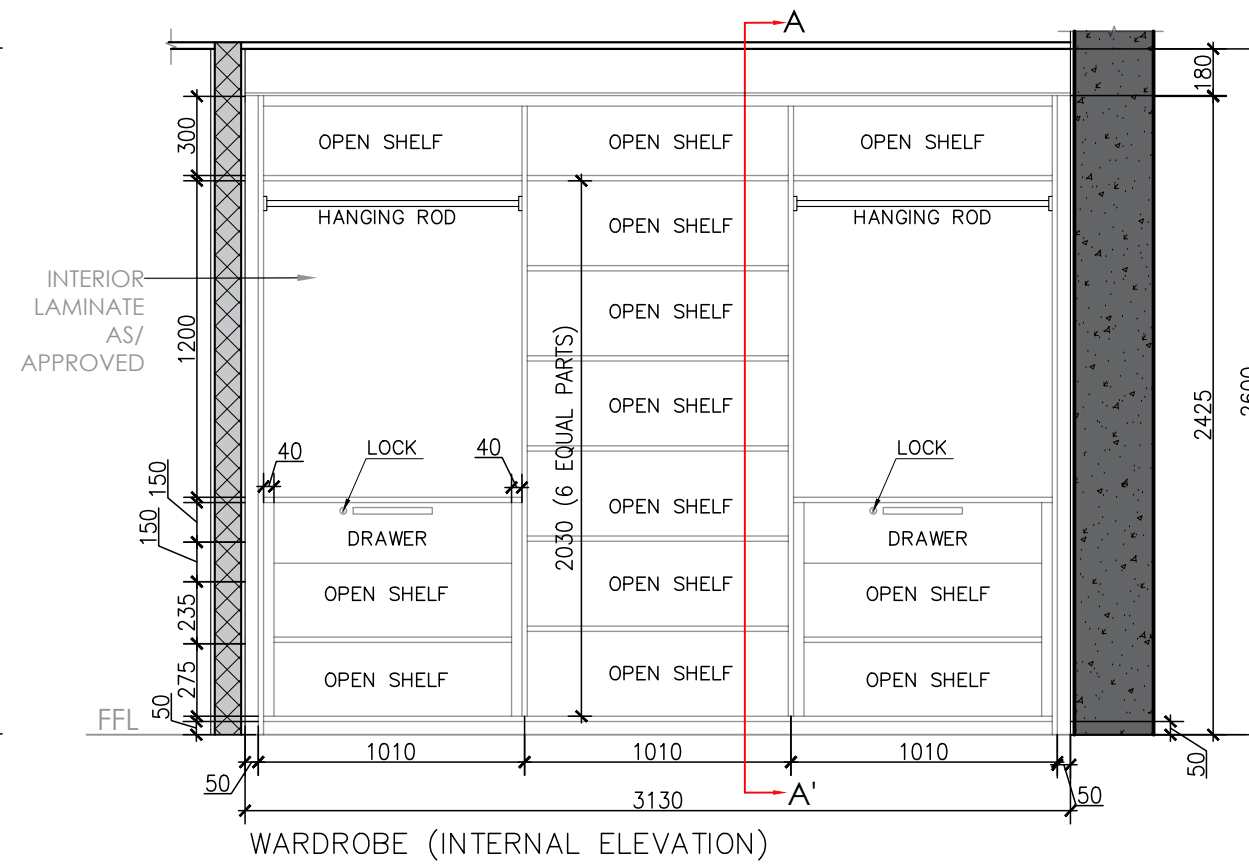
DETAIL B: GROOVE ABOVE SHUTTER



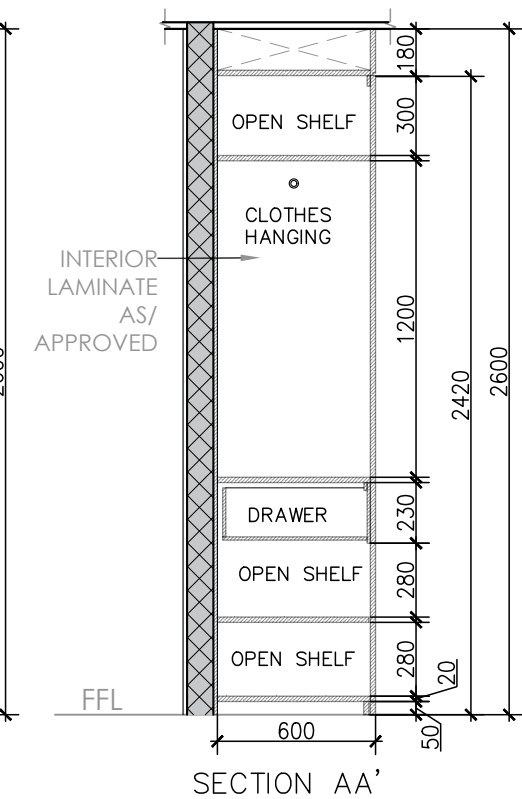
TENDER DRAWING



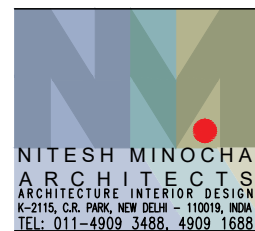
WARDROBE (EXTERNAL ELEVATION)



WARDROBE (INTERNAL ELEVATION)



SECTION AA'



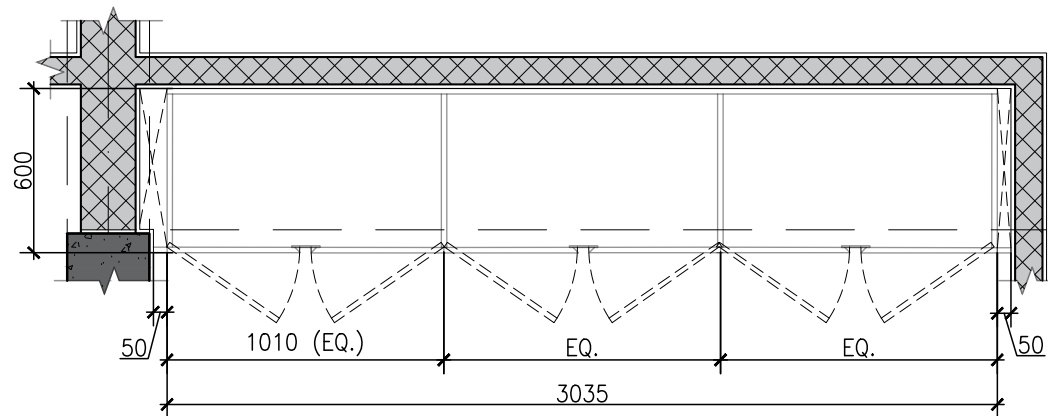
PROJECT
STAFF RESIDENCE FOR SET ON PLOTS 53/11,12,13,14 AT RAJINDER NAGAR

DWG. TITLE
MASTER BEDROOM WARDROBE DETAIL (A)

- Notes :-
1. All dimensions are in mm.
 2. Dimensions are to be read and not measured
 3. Any discrepancy in the drawing should be brought to the notice of the architect and no deviation should be made without the approval of the architect.
 4. The dwgs. are the copyright of the architect and should not be used for any unauthorised reason.
 5. All beams, columns, slab sizes and reinforcement details are as per structural drawings.
 6. All dimensions are finished dimensions unless mentioned and tolerances for plaster finishing have to be left as reqd.

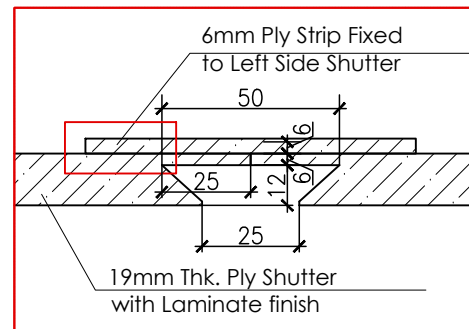
| | |
|--------------------------|----------------|
| DWG. NO | |
| NMA-SSR-MW-106-R0 | |
| FILE | RO_SSR_AUTOCAD |
| DATE | 23_02_2023 |
| DEALT BY | ADITI |
| SCALE | NTS |



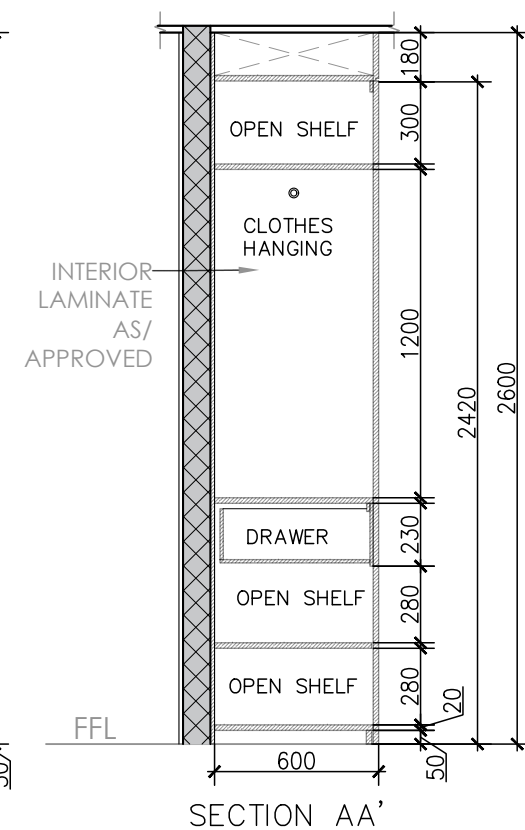
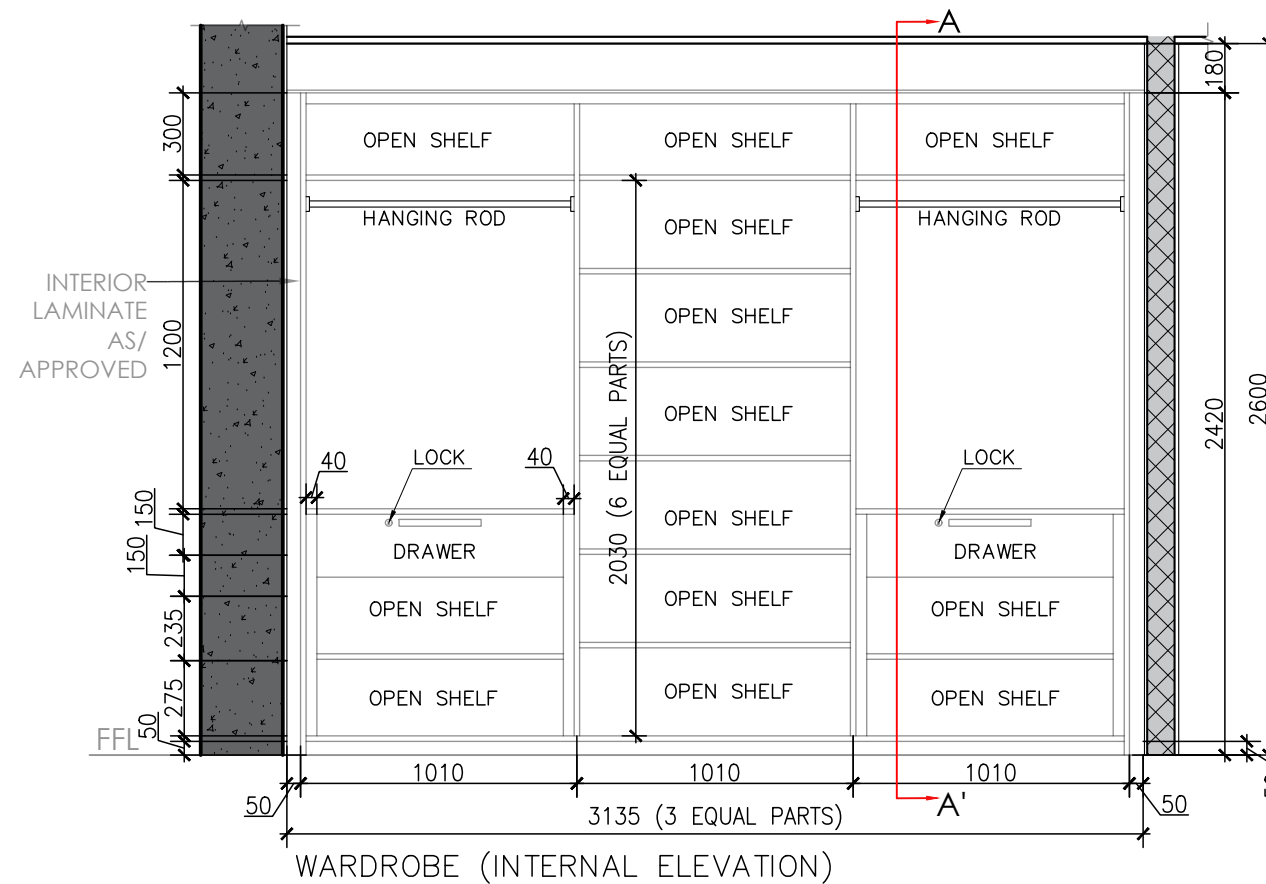
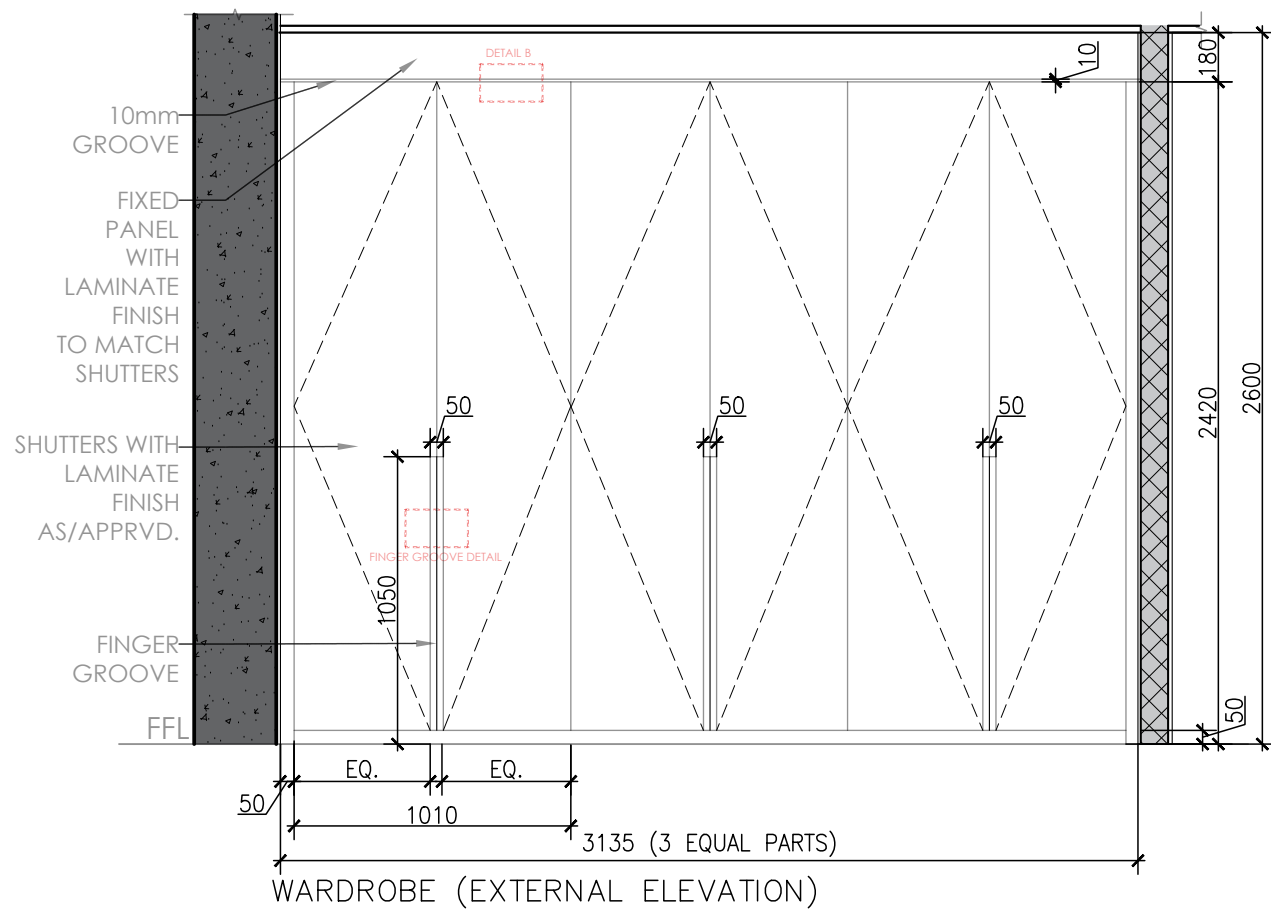
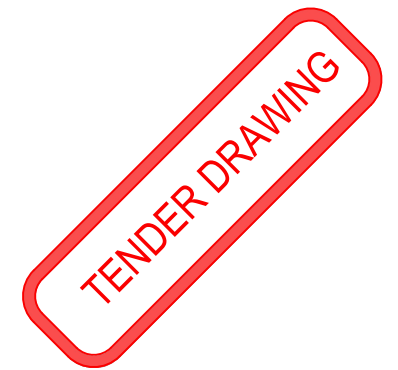
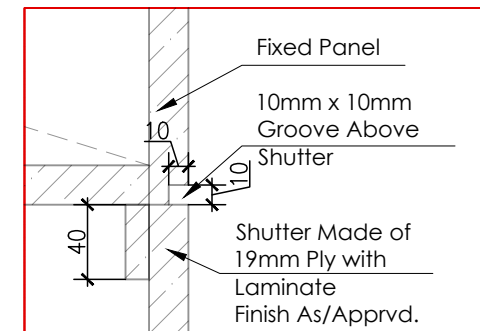


BEDROOM 1 WARDROBE: PLAN

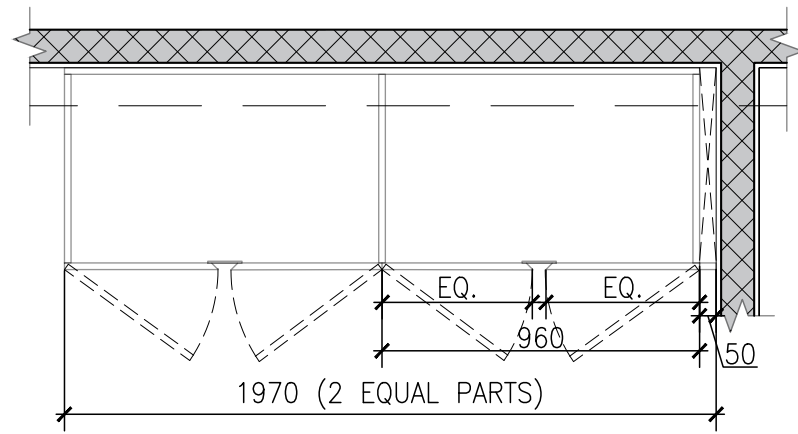
DETAIL A: FINGER GROOVE DETAIL



DETAIL B: GROOVE ABOVE SHUTTER

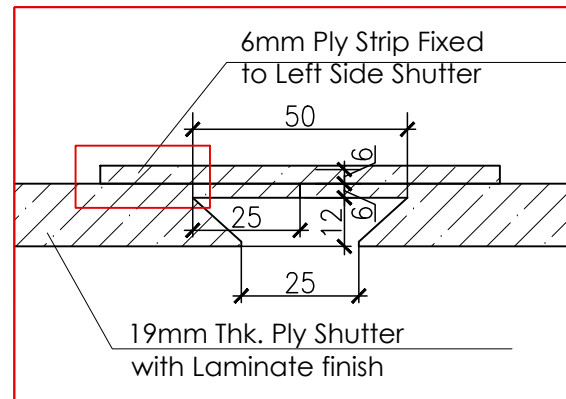


| | | | | | |
|--|------------|---|--|----------|-------------------|
| <p>NITESH MINOCHA ARCHITECTS ARCHITECTURE INTERIOR DESIGN K-2115, C.R. PARK, NEW DELHI - 110019, INDIA TEL: 011-4909 3488, 4909 1688</p> | PROJECT | STAFF RESIDENCE FOR SET ON PLOTS 53/11,12,13,14 AT RAJINDER NAGAR | <p>Notes :-</p> <ol style="list-style-type: none"> All dimensions are in mm. Dimensions are to be read and not measured Any discrepancy in the drawing should be brought to the notice of the architect and no deviation should be made without the approval of the architect. The dwgs. are the copyright of the architect and should not be used for any unauthorised reason. All beams, columns, slab sizes and reinforcement details are as per structural drawings. All dimensions are finished dimensions unless mentioned and tolerances for plaster finishing have to be left as reqd. | DWG. NO | NMA-SSR-MW-107-R0 |
| | DWG. TITLE | BEDROOM 1 WARDROBE DETAIL (A) | | FILE | RO_SSR_AUTOCAD |
| | | | | DEALT BY | ADITI |
| | | | | SCALE | NTS |

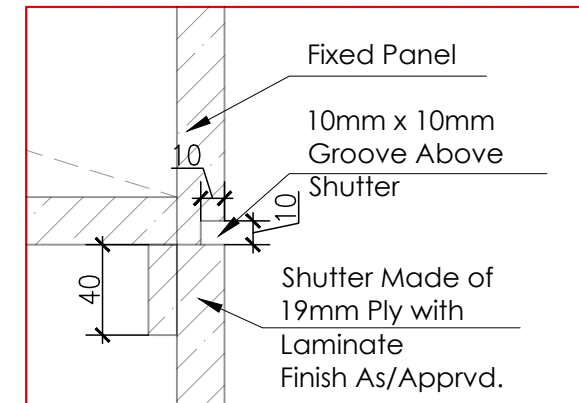


BEDROOM 2 WARDROBE: PLAN

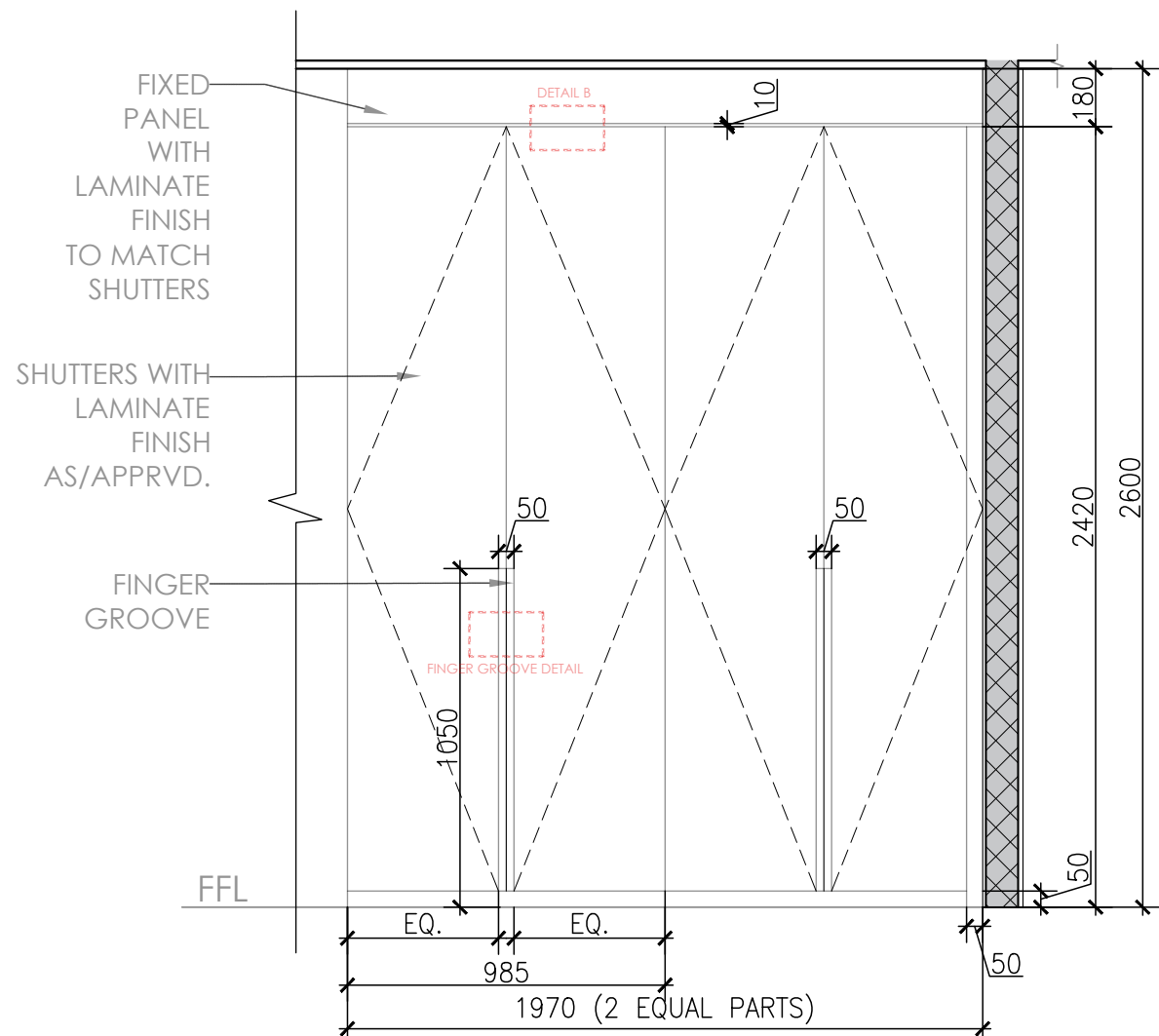
DETAIL A: FINGER GROOVE DETAIL



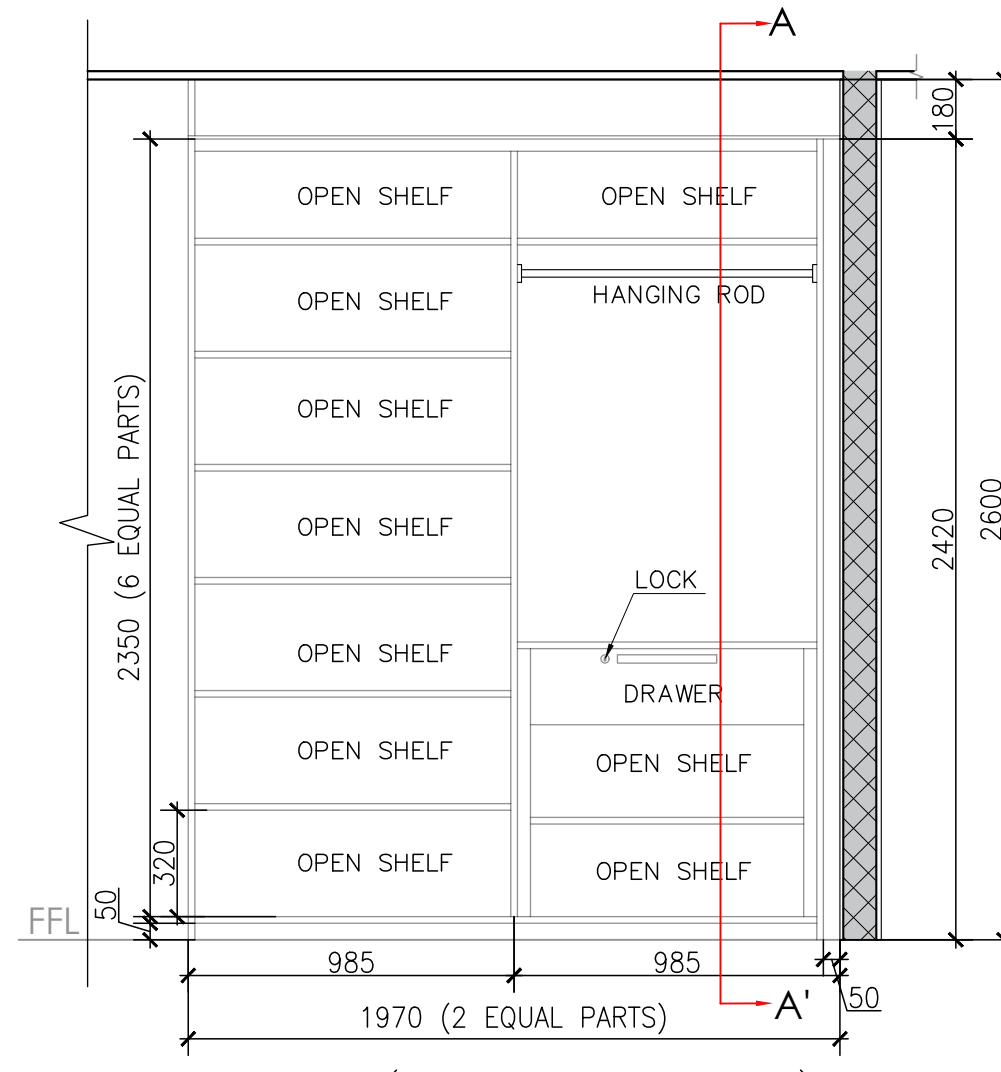
DETAIL B: GROOVE ABOVE SHUTTER



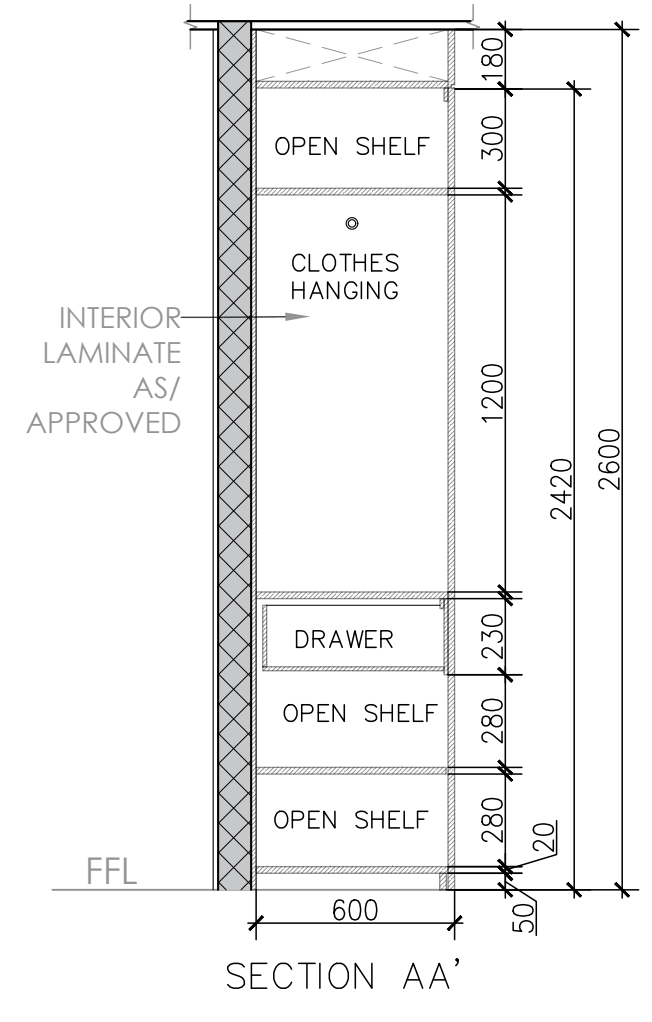
TENDER DRAWING



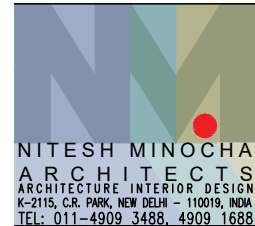
WARDROBE (EXTERNAL ELEVATION)



WARDROBE (INTERNAL ELEVATION)



SECTION AA'



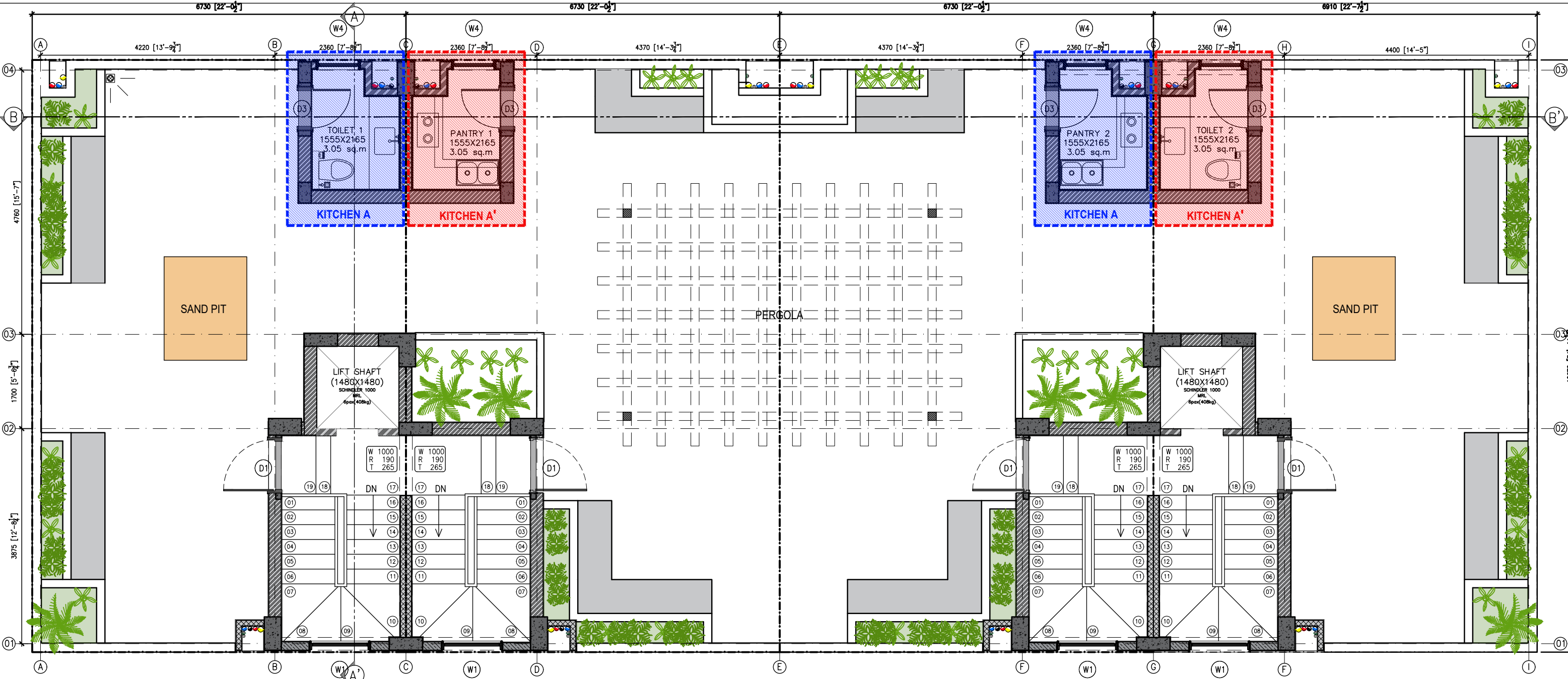
PROJECT
STAFF RESIDENCE FOR SET ON PLOTS 53/11,12,13,14 AT RAJINDER NAGAR

DWG. TITLE
BEDROOM 2 WARDROBE DETAIL (A)

Notes :-
 1. All dimensions are in mm.
 2. Dimensions are to be read and not measured
 3. Any discrepancy in the drawing should be brought to the notice of the architect and no deviation should be made without the approval of the architect.
 4. The dwgs. are the copyright of the architect and should not be used for any unauthorised reason.
 5. All beams, columns, slab sizes and reinforcement details are as per structural drawings.
 6. All dimensions are finished dimensions unless mentioned and tolerances for plaster finishing have to be left as reqd.

| | |
|--------------------------|----------------|
| DWG. NO | |
| NMA-SSR-MW-108-R0 | |
| FILE | RO_SSR_AUTOCAD |
| DATE | 23_02_2023 |
| DEALT BY | ADITI |
| SCALE | NTS |





TENDER DRAWING

TYPES OF WALLS

- 225mm BRICK WORK
- 150mm BRICK WORK
- 115mm BRICK WORK
- 100mm BLOCK

DOOR SCHEDULE

| LEGENDS | SIZE |
|---------|-----------|
| D1 | 990X2420 |
| D2 | 915X2420 |
| D3 | 765X2420 |
| D4 | 765X2110 |
| SD1 | 1145X2420 |
| SD2 | 2015X2420 |
| SD3 | 3165X2420 |

WINDOW SCHEDULE

| LEGENDS | SIZE |
|---------|-----------|
| W1 | 1070X2420 |
| W2 | 840X1430 |
| W3 | 1985X2420 |
| W4 | 765X2420 |
| W5 | 610X1430 |
| W6 | 1525X2420 |
| W7 | 3165X2420 |
| W8 | 840X2420 |
| W9 | 765X1430 |

Notes :-

1. All dimensions are in mm.
2. Dimensions are to be read and not measured
3. Any discrepancy in the drawing should be brought to the notice of the architect and no deviation should be made without the approval of the architect.
4. The dwgs. are the copyright of the architect and should not be used for any unauthorised reason.
5. All beams, columns, slab sizes and reinforcement details are as per structural drawings.
6. All dimensions are finished dimensions unless mentioned and tolerances for plaster finishing have to be left as reqd.

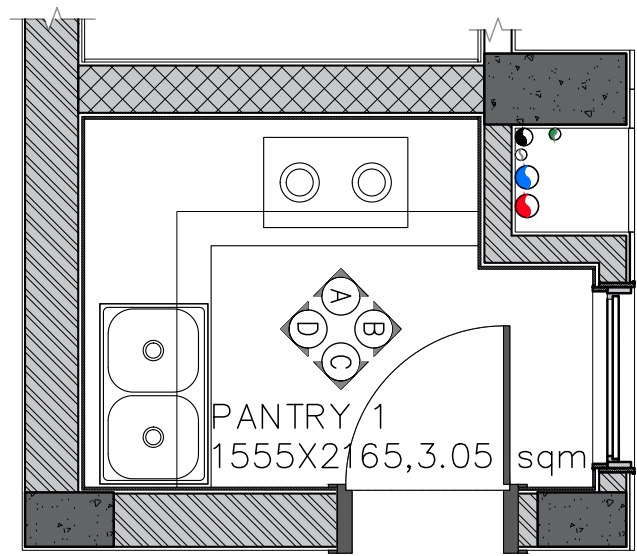
DWG. NO
NMA-SSR-MW-109-R0

| | |
|----------|----------------|
| FILE | RO_SSR_AUTOCAD |
| DATE | 23_02_2023 |
| DEALT BY | SURYA |
| SCALE | NTS |

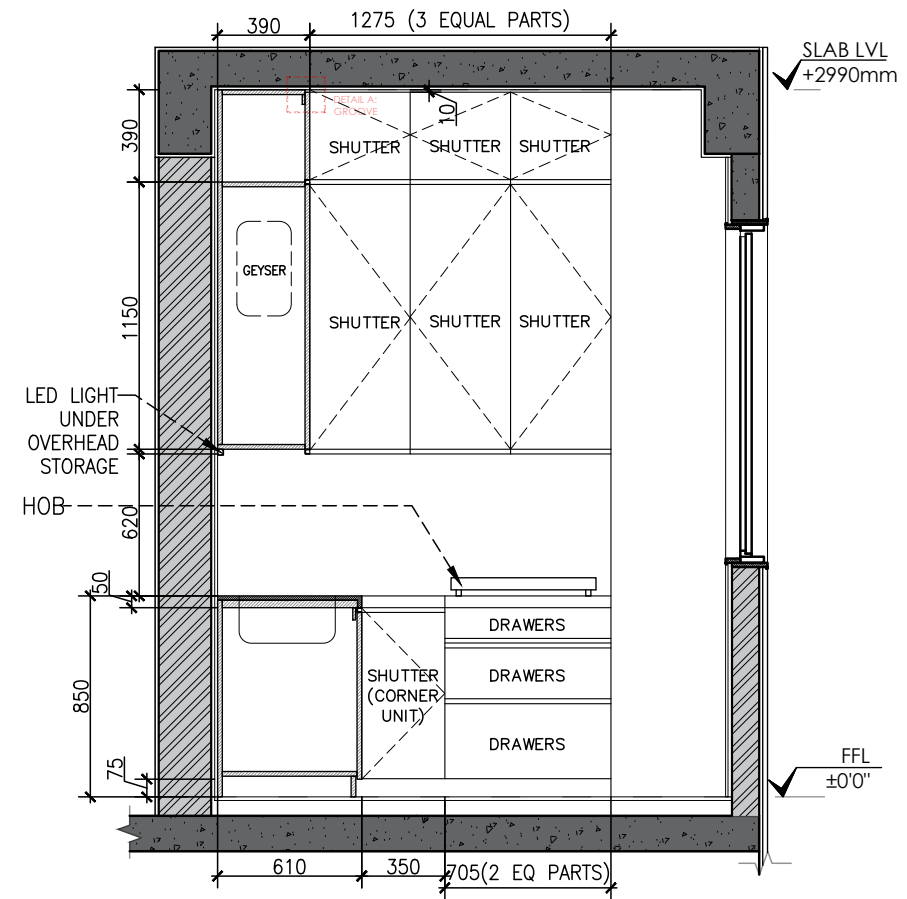
PROJECT
STAFF RESIDENCE FOR SET ON PLOTS 53/11,12,13,14 AT RAJINDER NAGAR

DWG. TITLE
TERRACE FLOOR - KITCHEN KEY PLAN

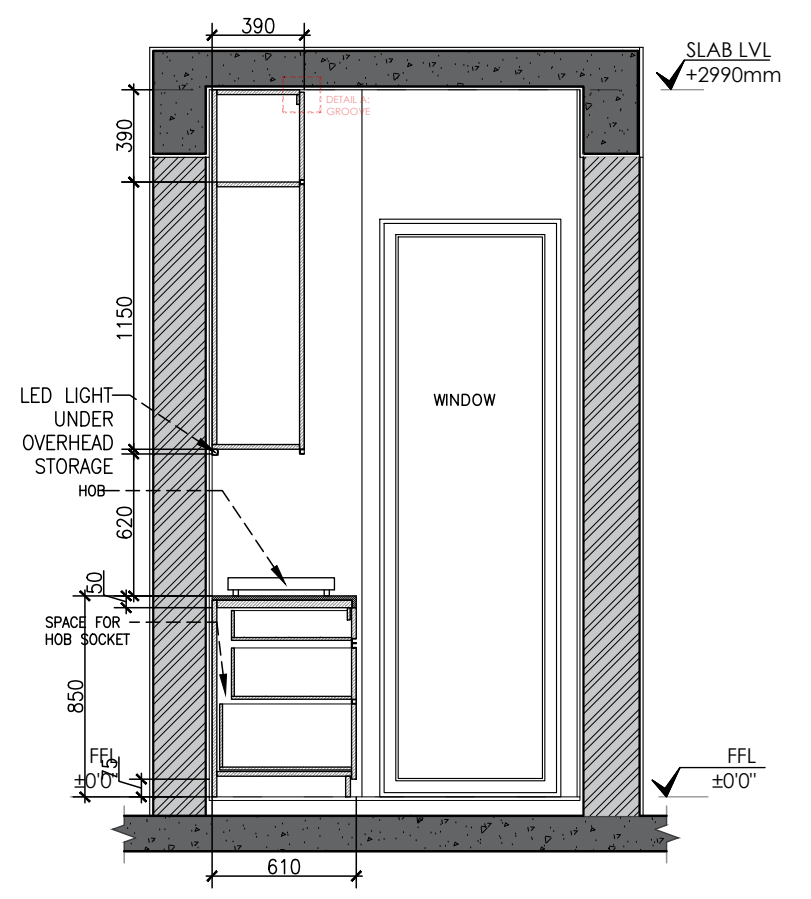
NITESH MINOCHA ARCHITECTS ARCHITECTURE INTERIOR DESIGN K-2115, C.R. PARK, NEW DELHI - 110019, INDIA TEL: 011-4909 3488, 4909 1688



TYPICAL FLOOR KITCHEN (PLAN)

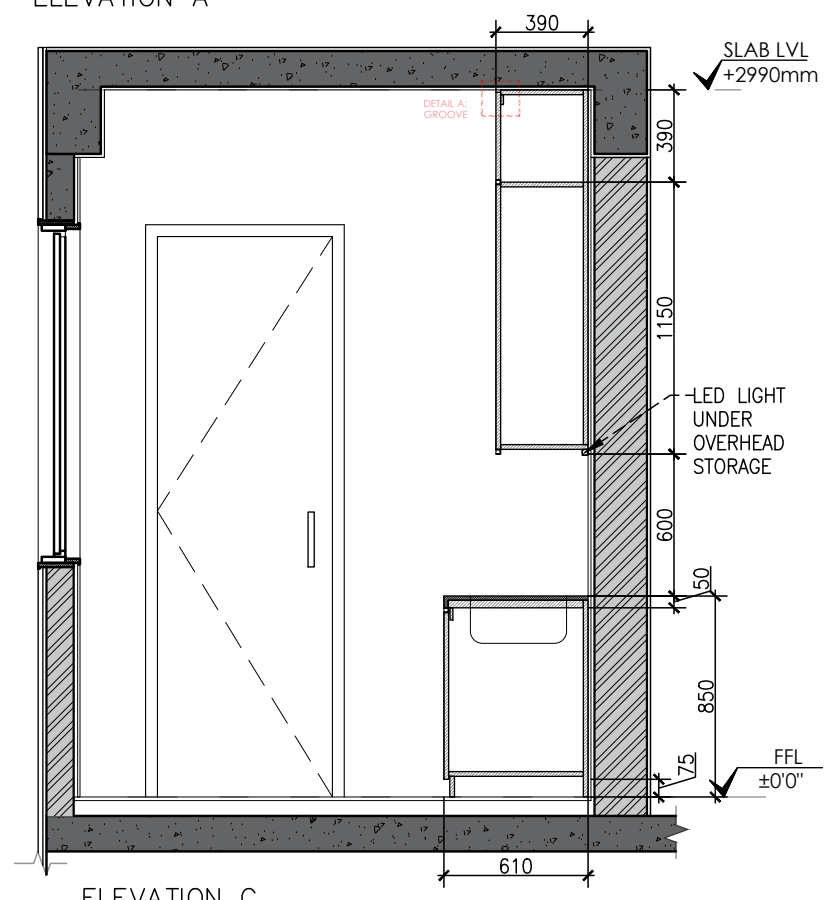
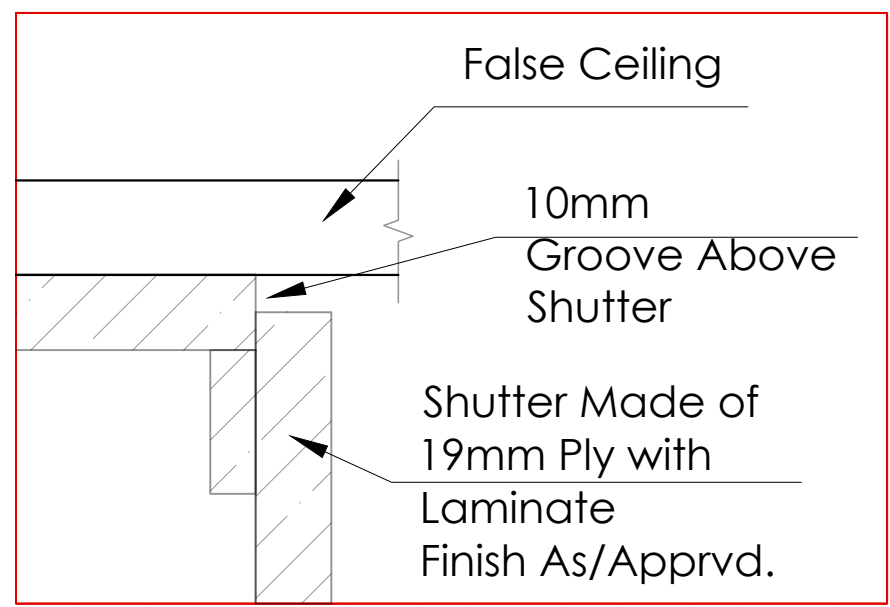


ELEVATION A

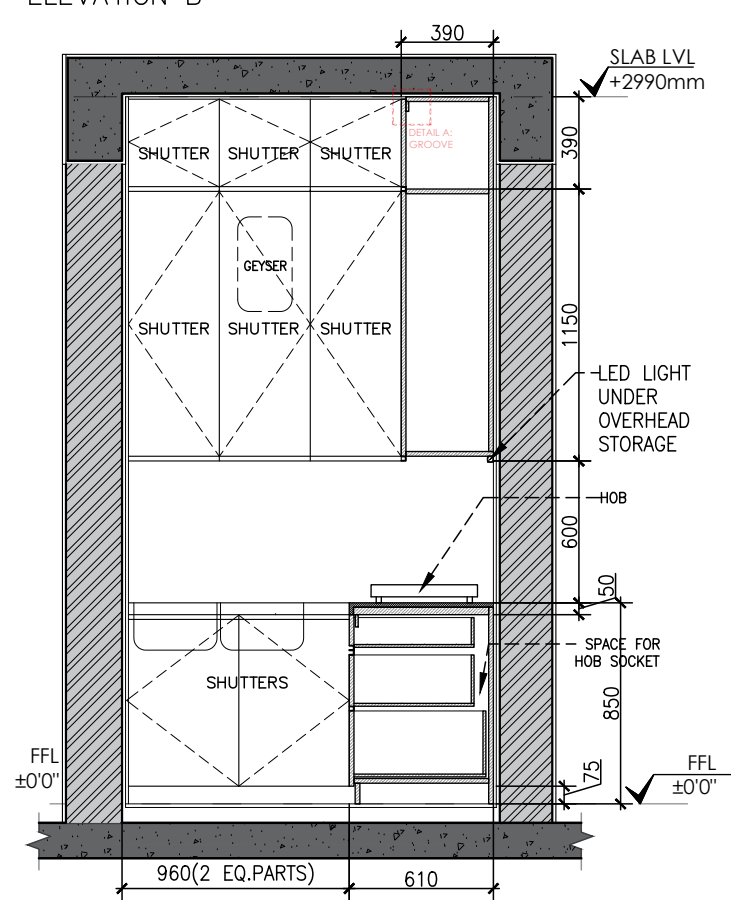


ELEVATION B

DETAIL A: GROOVE ABOVE SHUTTER

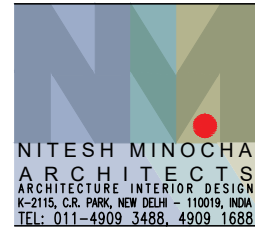


ELEVATION C



ELEVATION D

TENDER DRAWING

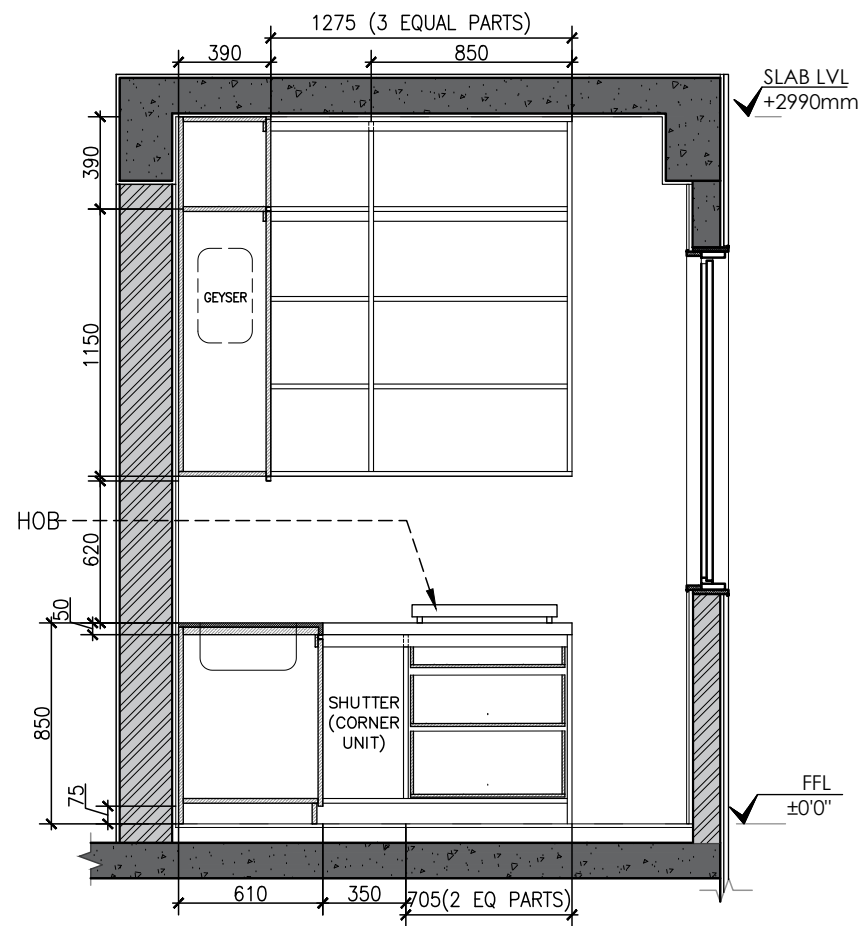


PROJECT
STAFF RESIDENCE FOR SET ON PLOTS 53/11,12,13,14 AT RAJINDER NAGAR

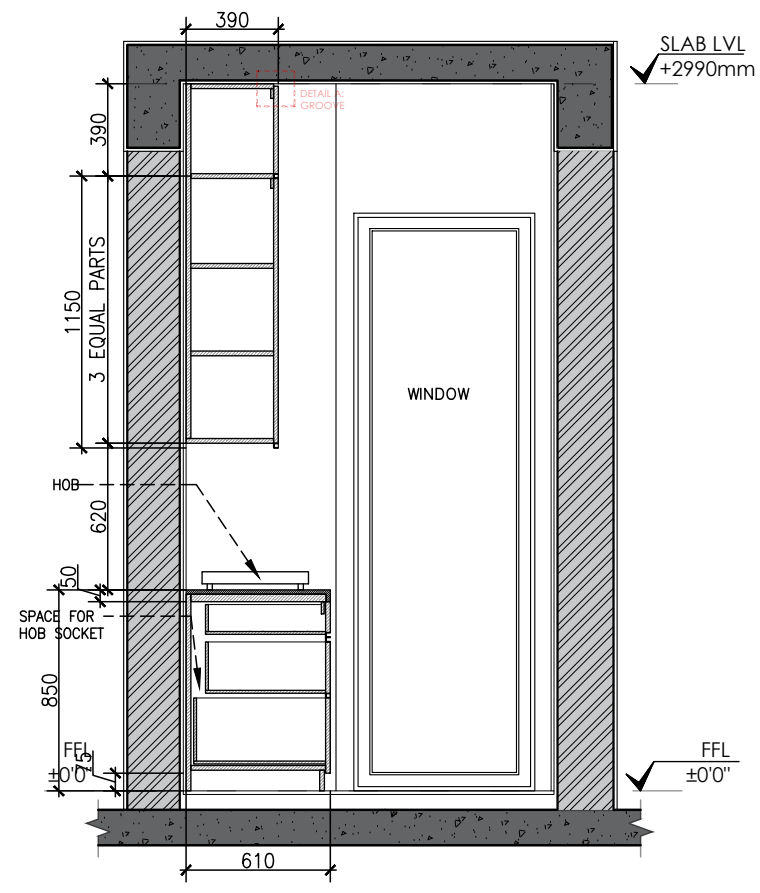
DWG. TITLE
TERRACE KICTHEN DETAIL (A)

- Notes :-
1. All dimensions are in mm.
 2. Dimensions are to be read and not measured
 3. Any discrepancy in the drawing should be brought to the notice of the architect and no deviation should be made without the approval of the architect.
 4. The dwgs. are the copyright of the architect and should not be used for any unauthorised reason.
 5. All beams, columns, slab sizes and reinforcement details are as per structural drawings.
 6. All dimensions are finished dimensions unless mentioned and tolerances for plaster finishing have to be left as reqd.

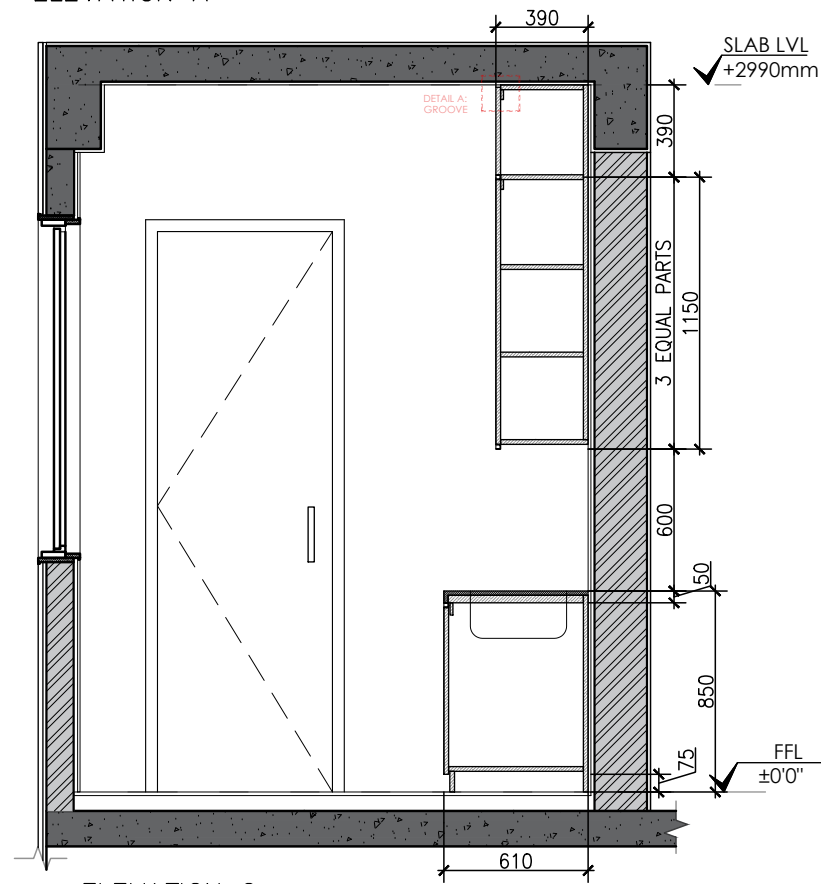
| | |
|---------------------------|----------------|
| DWG. NO | |
| NMA-SSR-MW-110A-R0 | |
| FILE | RO_SSR_AUTOCAD |
| DATE | 23_02_2023 |
| DEALT BY | ADITI |
| SCALE | NTS |



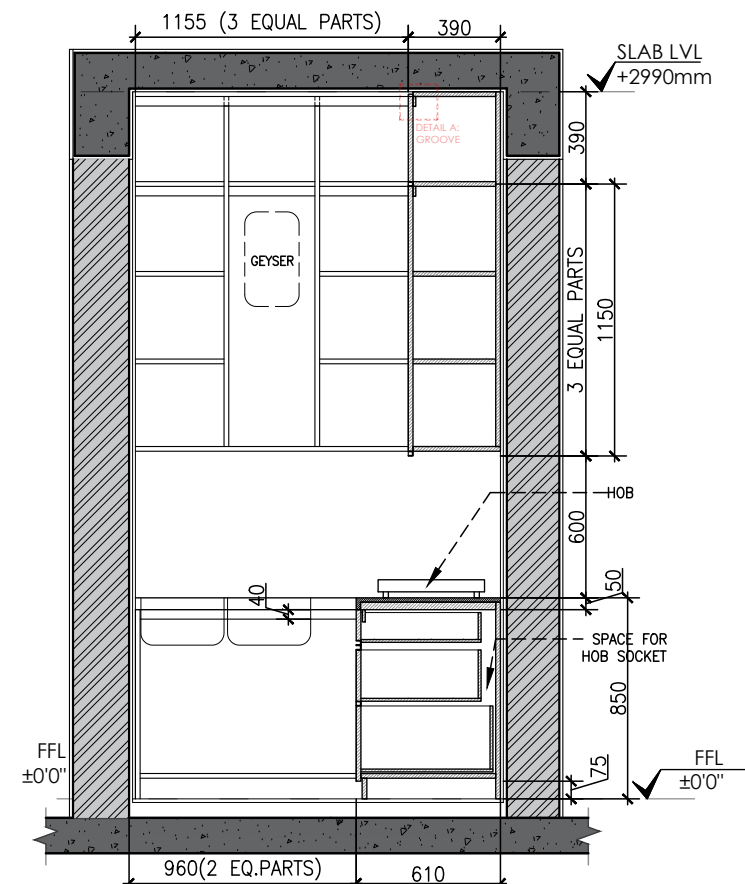
ELEVATION A



ELEVATION B



ELEVATION C



ELEVATION D

TENDER DRAWING

PROJECT

STAFF RESIDENCE FOR SET ON PLOTS 53/11,12,13,14 AT RAJINDER NAGAR

DWG. TITLE

TERRACE KICTHEN DETAIL (A): ELEVATIONS WITHOUT SHUTTERS

Notes :-

1. All dimensions are in mm.
2. Dimensions are to be read and not measured
3. Any discrepancy in the drawing should be brought to the notice of the architect and no deviation should be made without the approval of the architect.
4. The dwgs. are the copyright of the architect and should not be used for any unauthorised reason.
5. All beams, columns, slab sizes and reinforcement details are as per structural drawings.
6. All dimensions are finished dimensions unless mentioned and tolerances for plaster finishing have to be left as reqd.

DWG. NO

NMA-SSR-MW-110B-R0

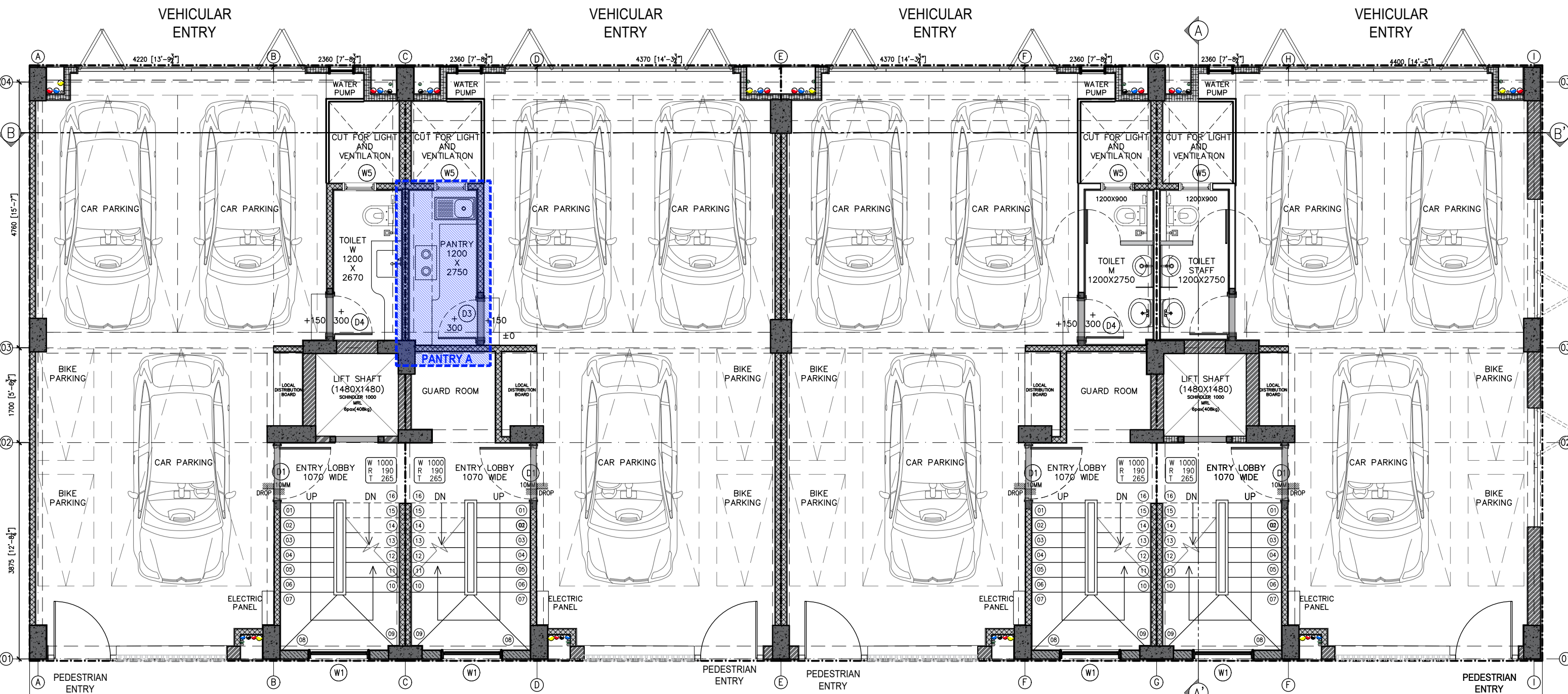
FILE RO_SSR_AUTOCAD

DATE 23_02_2023

DEALT BY ADITI

SCALE NTS





TENDER DRAWING

- TYPES OF WALLS
- 225mm BRICK WORK
 - 150mm BRICK WORK
 - 115mm BRICK WORK
 - 100mm BLOCK

DOOR SCHEDULE

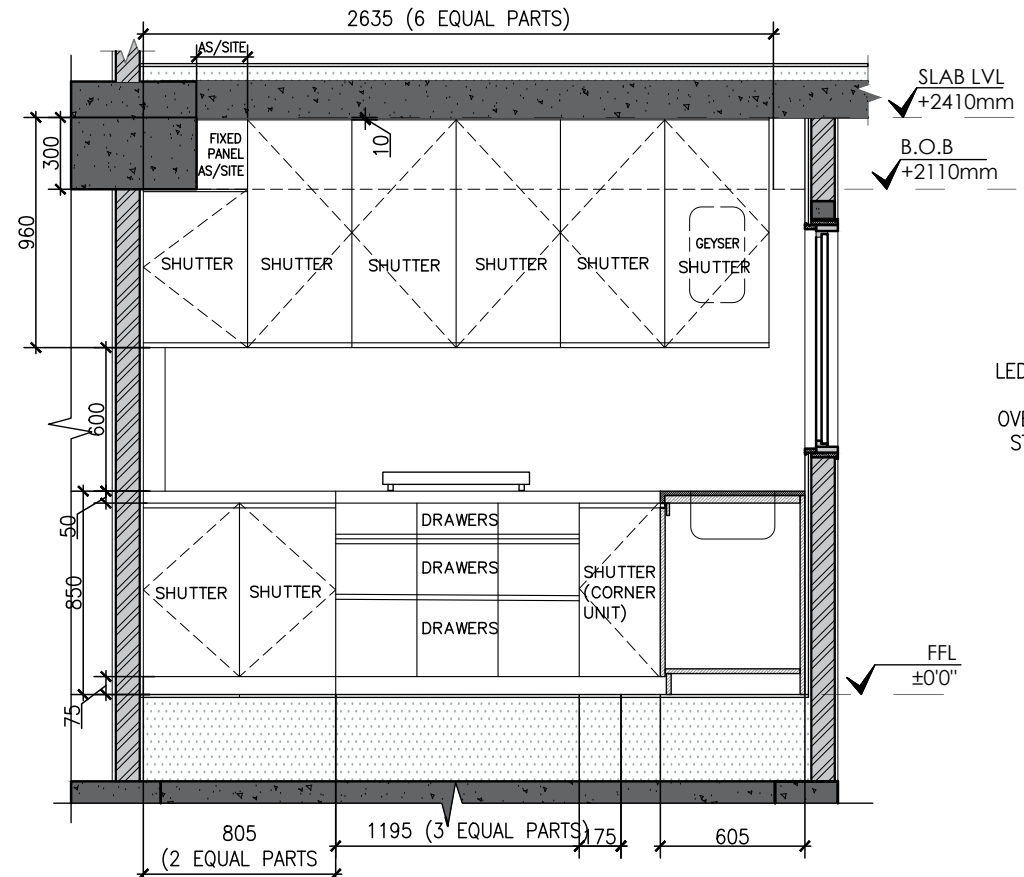
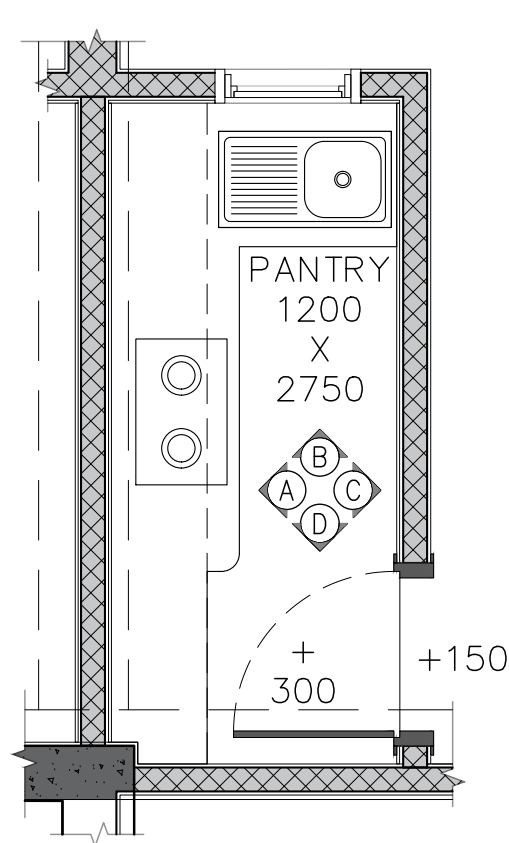
| LEGENDS | SIZE |
|---------|-----------|
| D1 | 990X2420 |
| D2 | 915X2420 |
| D3 | 765X2420 |
| D4 | 765X2110 |
| SD1 | 1145X2420 |
| SD2 | 2015X2420 |
| SD3 | 3165X2420 |

| LEGENDS | SIZE |
|---------|-----------|
| W1 | 1070X2420 |
| W2 | 840X1430 |
| W3 | 1985X2420 |
| W4 | 765X2420 |
| W5 | 610X1000 |
| W6 | 1525X2420 |

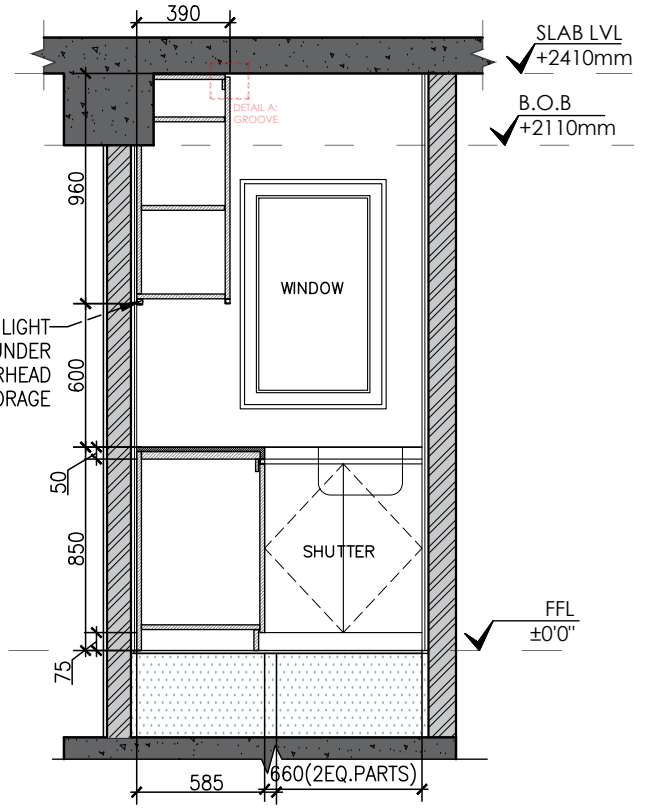
| LEGENDS | SIZE |
|---------|-----------|
| W7 | 3165X2420 |
| W8 | 840X2420 |
| W9 | 765X1430 |

| | | | | | |
|---|------------|---|--|------------|--------------------------|
| <p style="font-size: 8px; margin: 0;">NITESH MINOCHA ARCHITECTS ARCHITECTURE INTERIOR DESIGN K-2115, C.R. PARK, NEW DELHI - 110019, INDIA TEL: 011-4909 3488, 4909 1688</p> | PROJECT | STAFF RESIDENCE FOR SET ON PLOTS 53/11,12,13,14 AT RAJINDER NAGAR | Notes :- 1. All dimensions are in mm. 2. Dimensions are to be read and not measured 3. Any discrepancy in the drawing should be brought to the notice of the architect and no deviation should be made without the approval of the architect. 4. The dwgs. are the copyright of the architect and should not be used for any unauthorised reason. 5. All beams, columns, slab sizes and reinforcement details are as per structural drawings. 6. All dimensions are finished dimensions unless mentioned and tolerances for plaster finishing have to be left as reqd. | DWG. NO | NMA-SSR-MW-111-R0 |
| | DWG. TITLE | STILT FLOOR: PANTRY KEY PLAN | | FILE | RO_SSR_ARCHITECTURAL_SET |
| | | | DATE | 23-02-2023 | |
| | | | DEALT BY | SURYA | |
| | | | SCALE | NTS | |

TENDER DRAWING

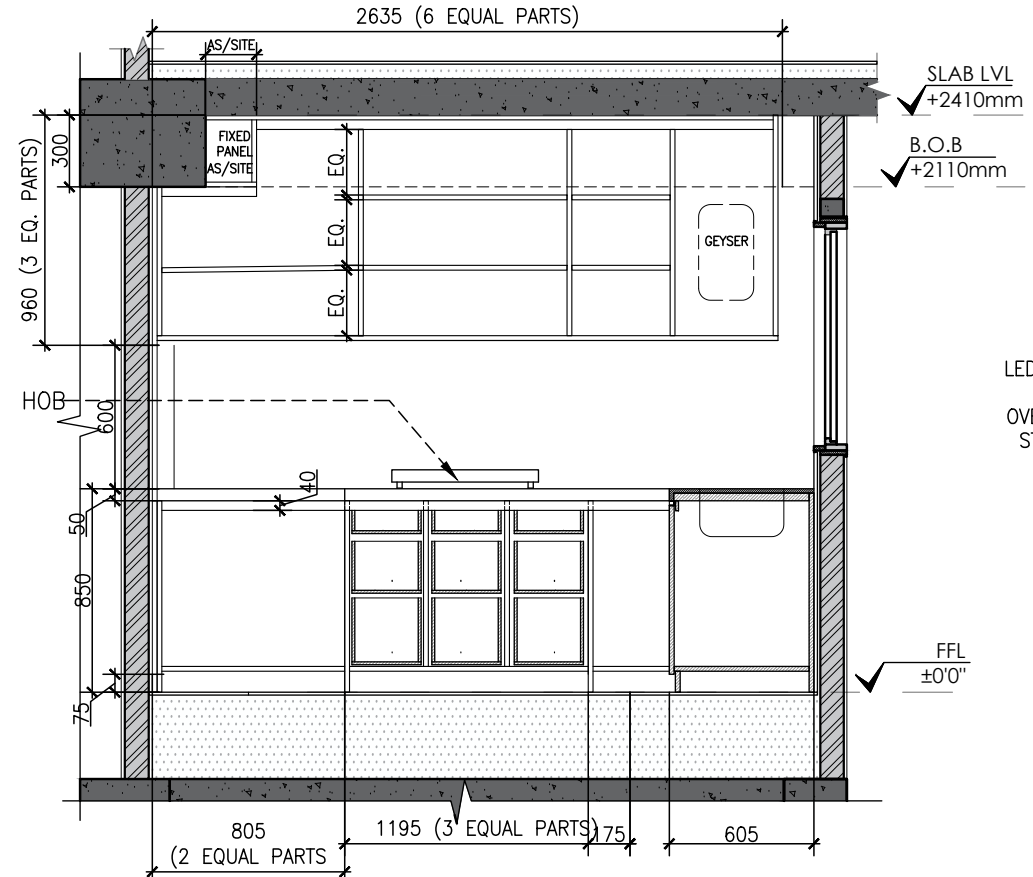
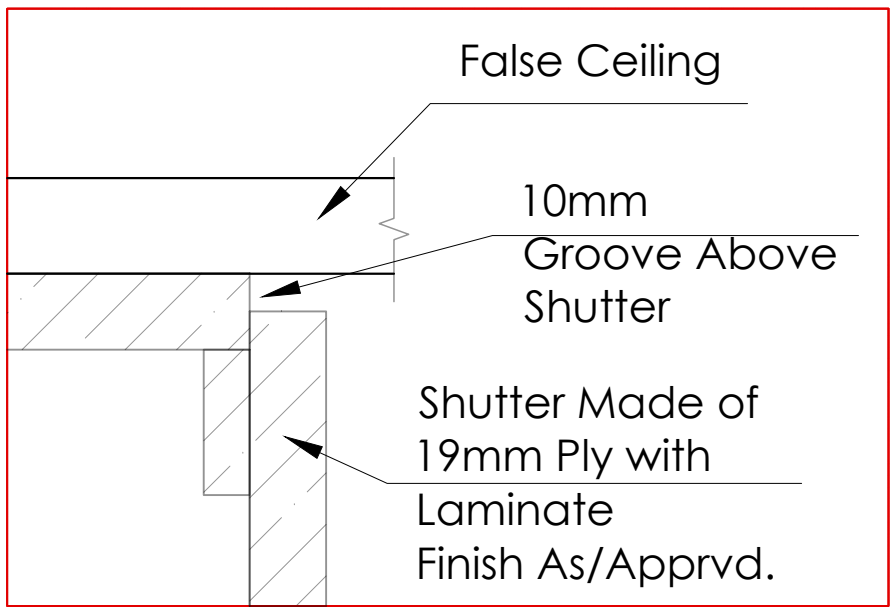


ELEVATION A

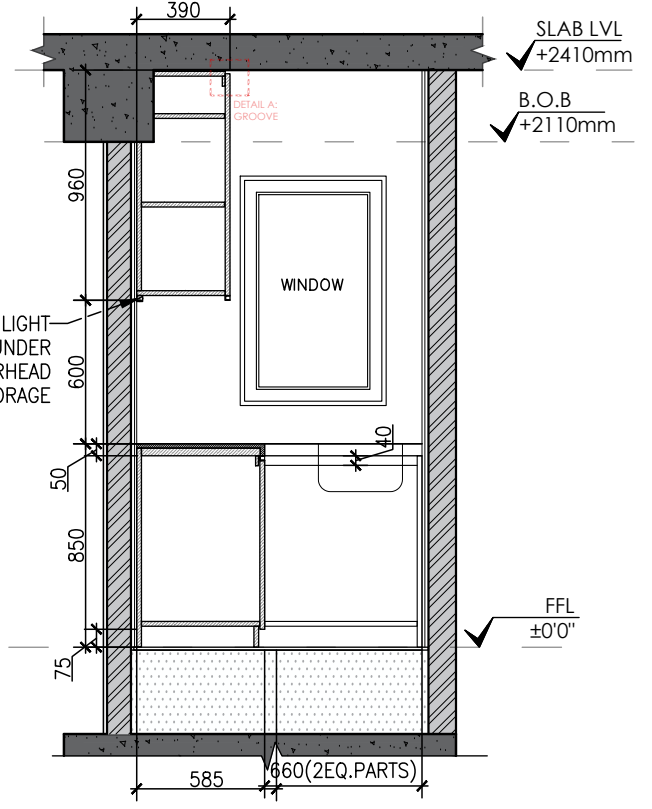


ELEVATION B

DETAIL A: GROOVE ABOVE SHUTTER

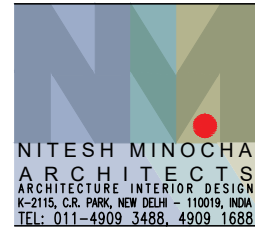


ELEVATION A (WITHOUT SHUTTERS)



ELEVATION B (WITHOUT SHUTTERS)

- Notes :-
1. All dimensions are in mm.
 2. Dimensions are to be read and not measured
 3. Any discrepancy in the drawing should be brought to the notice of the architect and no deviation should be made without the approval of the architect.
 4. The dwgs. are the copyright of the architect and should not be used for any unauthorised reason.
 5. All beams, columns, slab sizes and reinforcement details are as per structural drawings.
 6. All dimensions are finished dimensions unless mentioned and tolerances for plaster finishing have to be left as reqd.



PROJECT
STAFF RESIDENCE FOR SET ON PLOTS 53/11,12,13,14 AT RAJINDER NAGAR

DWG. TITLE
STILT FLOOR PANTRY DETAIL

| | |
|--------------------------|----------------|
| DWG. NO | |
| NMA-SSR-MW-112-R0 | |
| FILE | RO_SSR_AUTOCAD |
| DATE | 23_02_2023 |
| DEALT BY | ADITI |
| SCALE | NTS |

