

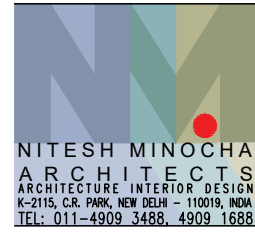
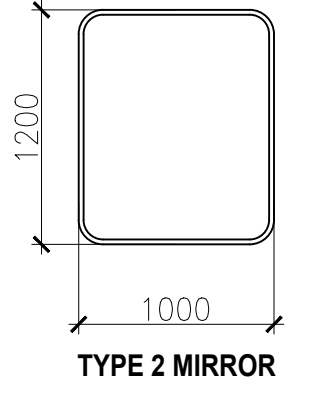
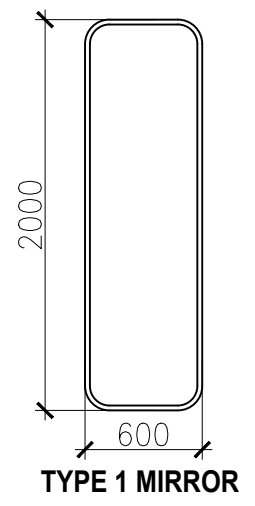
PLOT 53/14

PLOT 53/13

PLOT 53/12

PLOT 53/11

TENDER DRAWING



PROJECT  
**STAFF RESIDENCE FOR SET ON PLOTS 53/11,12,13,14 AT RAJINDER NAGAR**

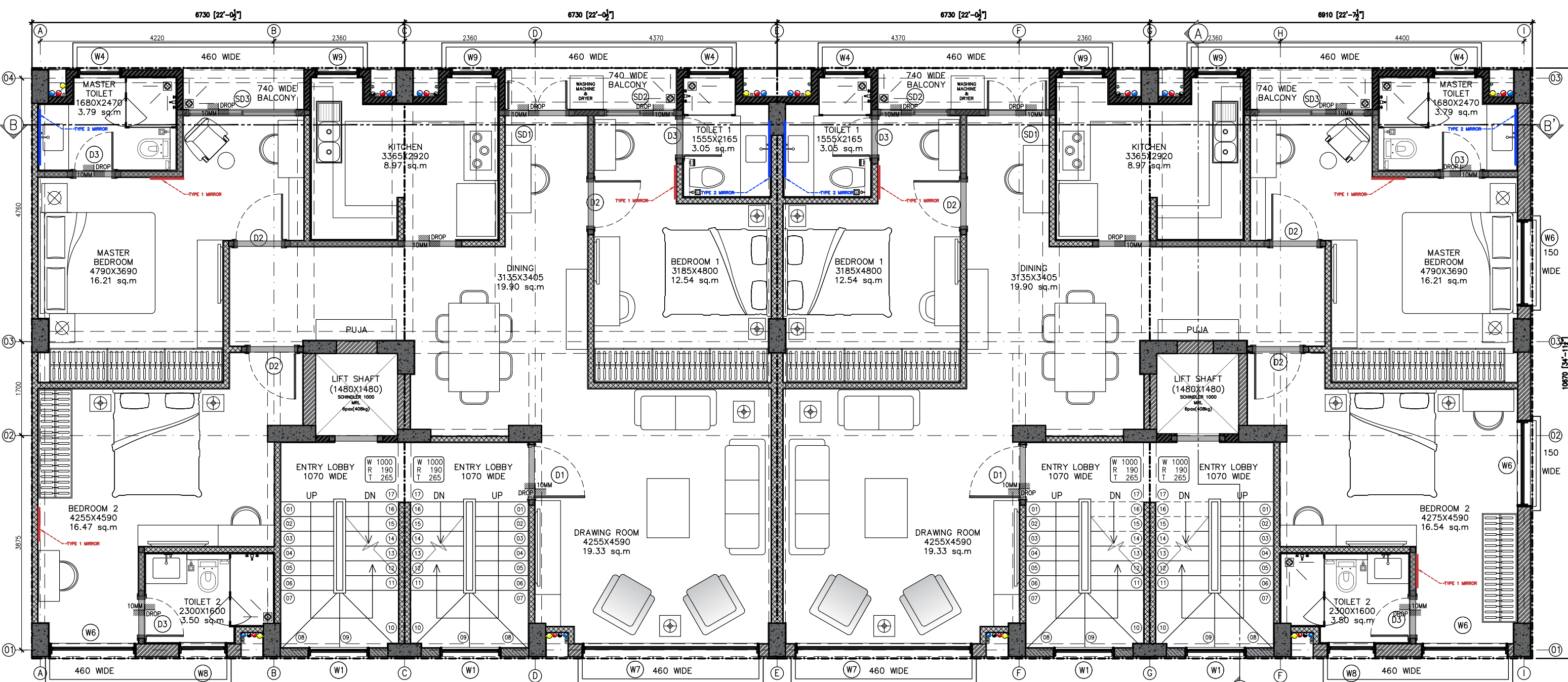
DWG. TITLE  
**TYPICAL FLOOR MIRROR LOCATION AND SIZE**

Notes :-  
 1. All dimensions are in mm.  
 2. Dimensions are to be read and not measured  
 3. Any discrepancy in the drawing should be brought to the notice of the architect and no deviation should be made without the approval of the architect.  
 4. The dwgs. are the copyright of the architect and should not be used for any unauthorised reason.  
 5. All beams, columns, slab sizes and reinforcement details are as per structural drawings.  
 6. All dimensions are finished dimensions unless mentioned and tolerances for plaster finishing have to be left as reqd.

DWG. NO	
<b>NMA-SSR-MI-101-R0</b>	
FILE	RO_SSR_ARCHITECTURAL_SET
DATE	23_02_2023
DEALT BY	SURYA
SCALE	NTS



**NITESH MINOCHA**  
 ARCHITECTS  
 ARCHITECTURE INTERIOR DESIGN  
 K-2115, C.R. PARK, NEW DELHI - 110019, INDIA  
 TEL: 011-4909 3488, 4909 1688



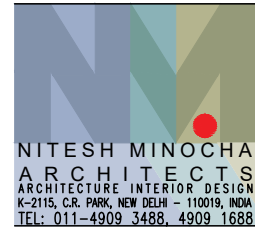
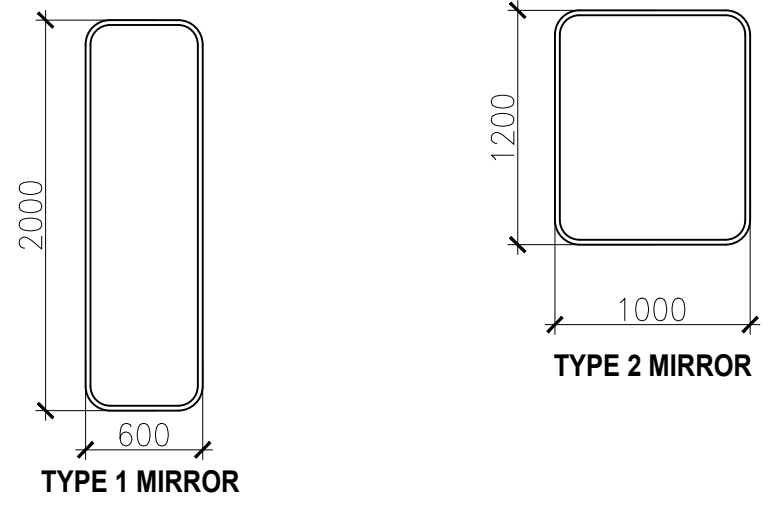
PLOT 53/14

PLOT 53/13

PLOT 53/12

PLOT 53/11

TENDER DRAWING



PROJECT  
**STAFF RESIDENCE FOR SET ON PLOTS 53/11,12,13,14 AT RAJINDER NAGAR**

DWG. TITLE  
**FOURTH FLOOR MIRROR LOCATION AND SIZE**

Notes :-  
 1. All dimensions are in mm.  
 2. Dimensions are to be read and not measured  
 3. Any discrepancy in the drawing should be brought to the notice of the architect and no deviation should be made without the approval of the architect.  
 4. The dwgs. are the copyright of the architect and should not be used for any unauthorised reason.  
 5. All beams, columns, slab sizes and reinforcement details are as per structural drawings.  
 6. All dimensions are finished dimensions unless mentioned and tolerances for plaster finishing have to be left as reqd.

DWG. NO	
<b>NMA-SSR-MI-102-R0</b>	
FILE	RO_SSR_ARCHITECTURAL_SET
DATE	23_02_2023
DEALT BY	SURYA
SCALE	NTS