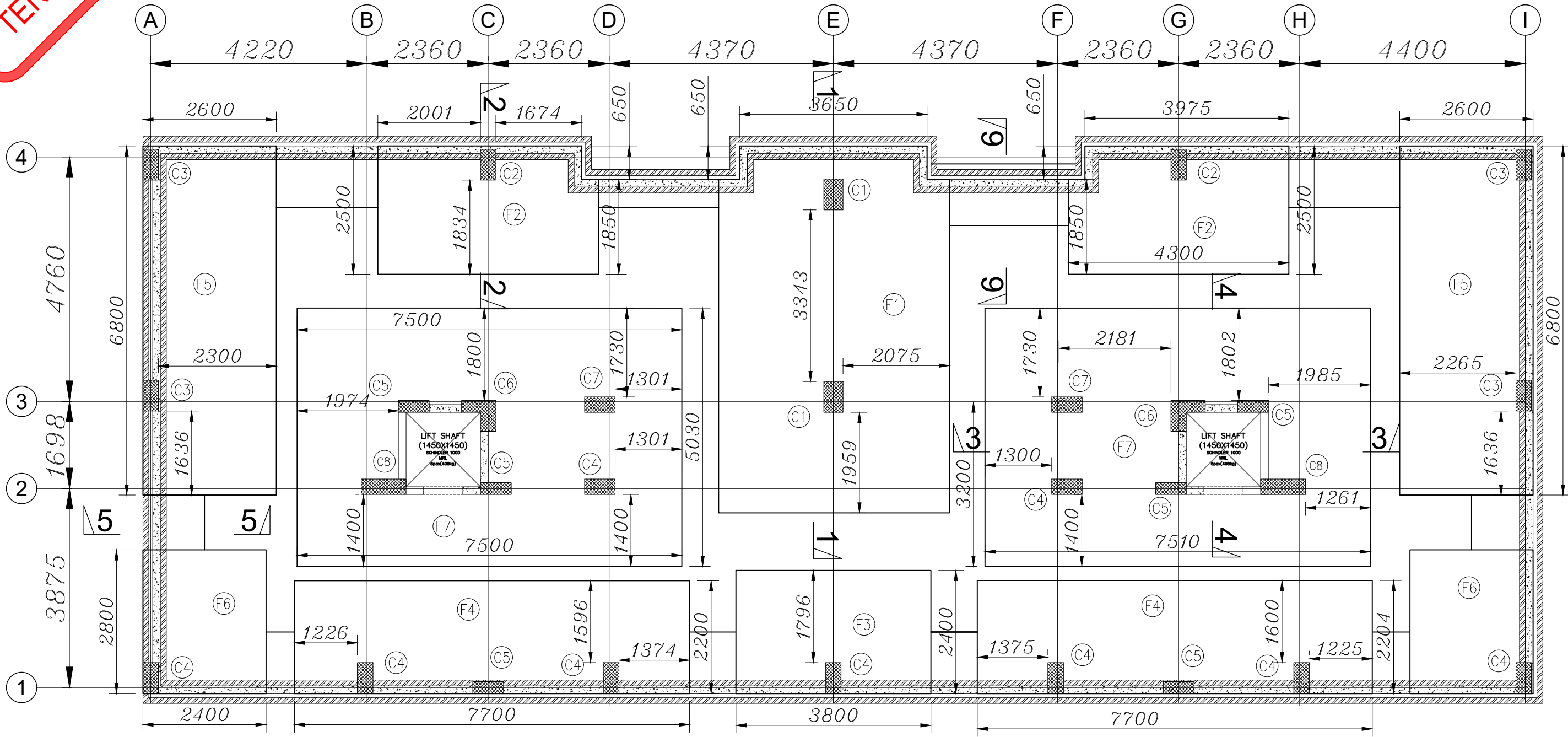

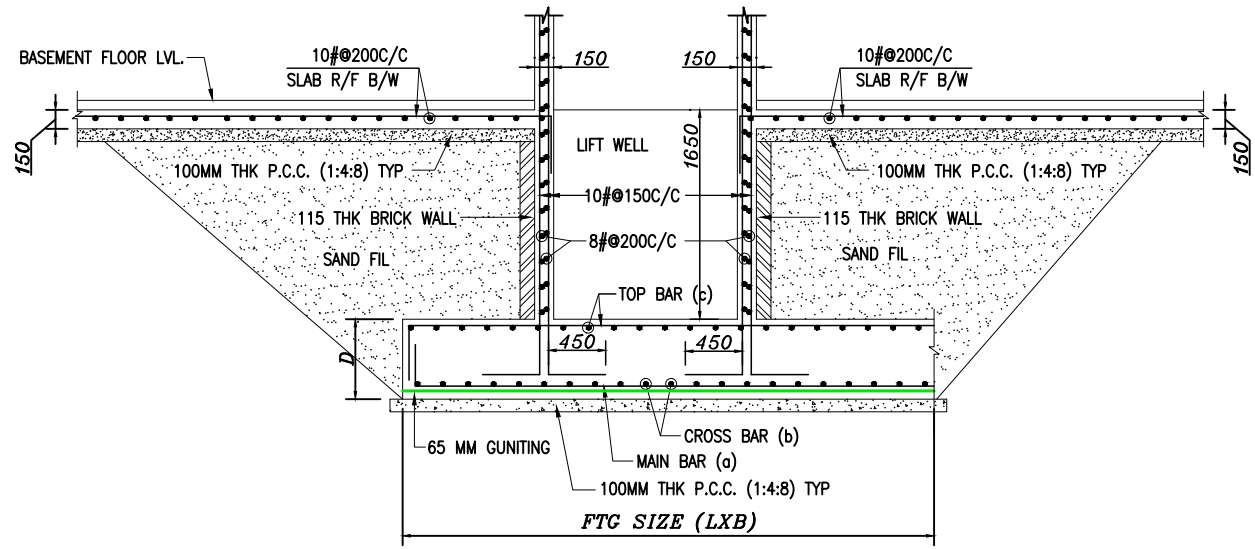


TENDER DRAWING

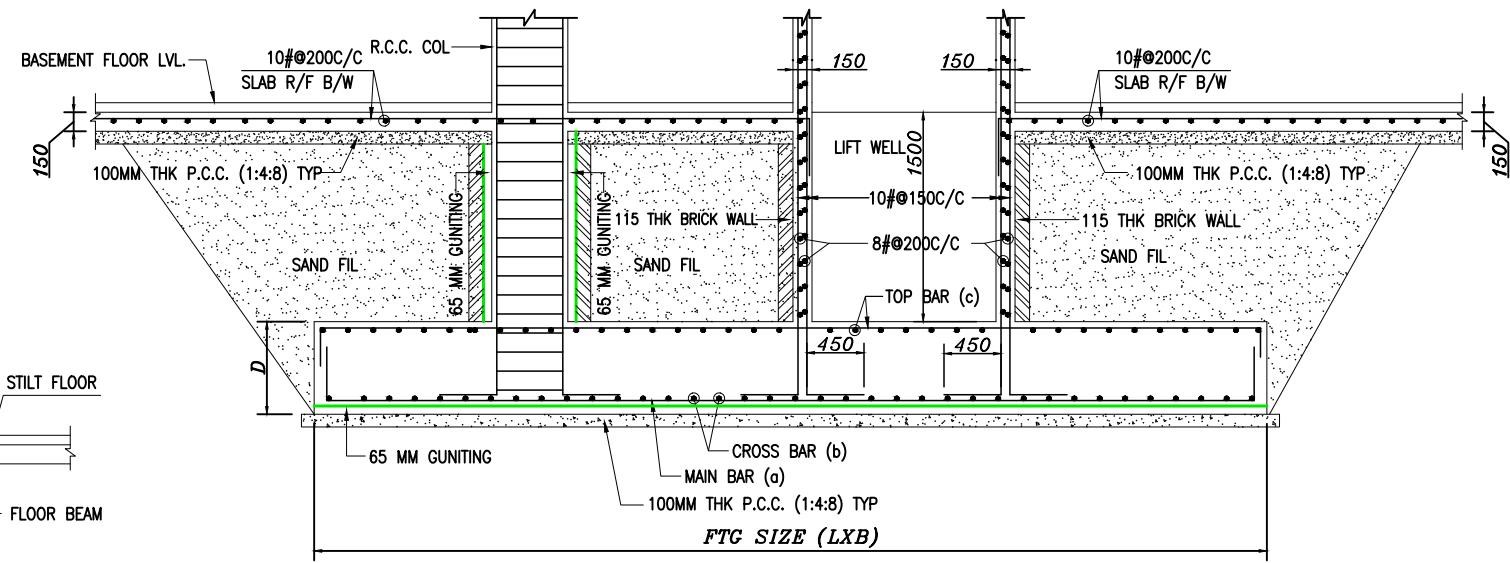


FOUNDATION PLAN

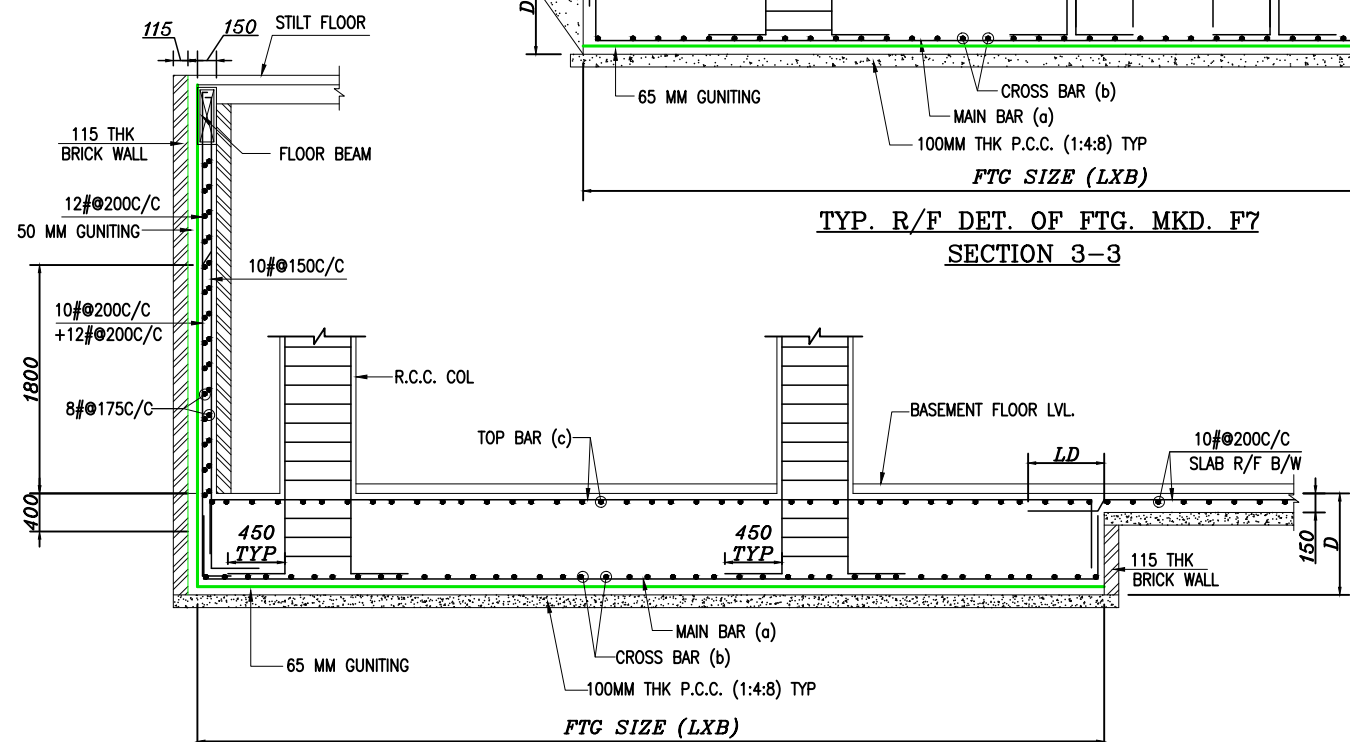
PROJECT STAFF RESIDENCE FOR SET ON PLOTS 53/11,12,13,14 AT RAJINDER NAGAR	STRUCTURE CONSULTANT :  Beniwal Associate Pvt. Ltd. Structural Engineers & Architects 7/2 Sarvapriya Vihar, Rear Basement, New Delhi 110016 Mob. +91-9810263434, 011-45542991 Email- bapldwarka@gmail.com	Arch. CONSULTANT : NITESH MINOCHA ARCHITECTS ARCHITECTURE INTERIOR DESIGN K-2115, C.R. PARK, NEW DELHI - 110019, INDIA TEL: 011-4909 3488, 4909 1688	REVISION: -00 DRAWN BY: Rahul CHKD. BY: D.BENIWAL SCALE: SCALE TO FIT DATE: 12.01.2023 DRG. TYPE: WORKING JOB CODE:	CLIENT : DRAWING NO. SHEET BLOCK ST-01 NO-01 ---	NOTES:- 1. ALL DIMENSIONS ARE IN MM. 2. READ THIS DRG. IN CONJUNCTION WITH ARCHITECTURAL DRAWINGS. 3. CONCRETE GRADE M25 SHALL BE USED FOR ALL R.C.C WORK 4. ALL R/F STEEL BARS SHALL BE H.Y.S.D BARS OF GRADE Fe-500 CONFORMING TO I.S 1786.	5. MINIMUM LAP LENGTH OF BARS SHALL BE 50xD. LAPS IN BARS SHALL BE STAGGERED SUCH THAT NOT MORE THAN 50% OF BARS ARE LAPPED AT ANY ONE SECTION. 6. CLEAR COVER TO MAIN REINFORCEMENTS SHALL BE AS FOLLOWS:- (1) FOUNDATION =50MM (2) COLUMN =40MM (3) BEAM =30MM (4) R.C.C. WALL =30MM	7. DO NOT SCALE, WORK TO DIMENSIONS ONLY. 8. SAFE BEARING CAPACITY OF SOIL HAS BEEN TAKEN AS 16 TON/SQM BELOW 3.0m FROM N.G.L. 9. FOUNDATION HAS BEEN DESIGNED FOR BASEMENT, STILT, FIRST, SECOND, THIRD&THIRD, TERRAC FLOORS ONLY.
			TITLE FOUNDATION PLAN				



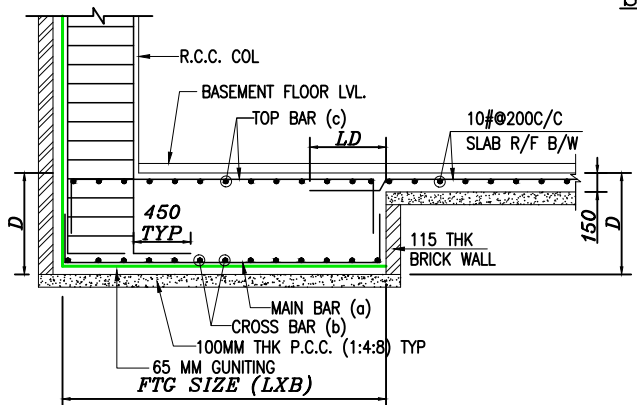
TYP. R/F DET. OF FTG. MKD. F7
SECTION 4-4



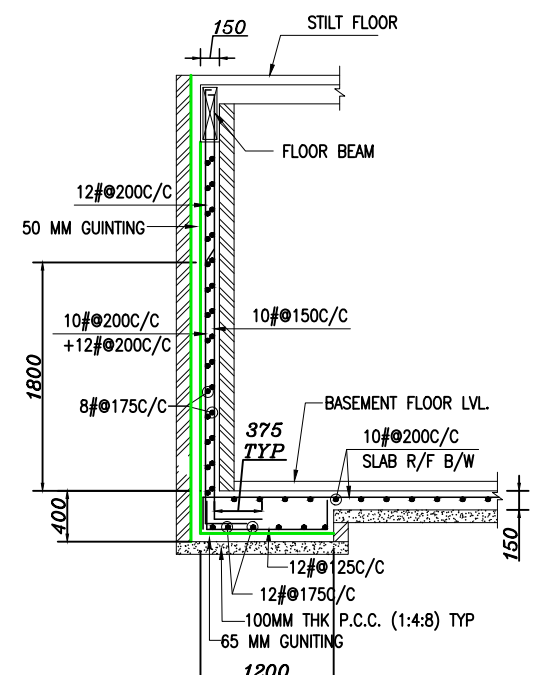
TYP. R/F DET. OF FTG. MKD. F7
SECTION 3-3



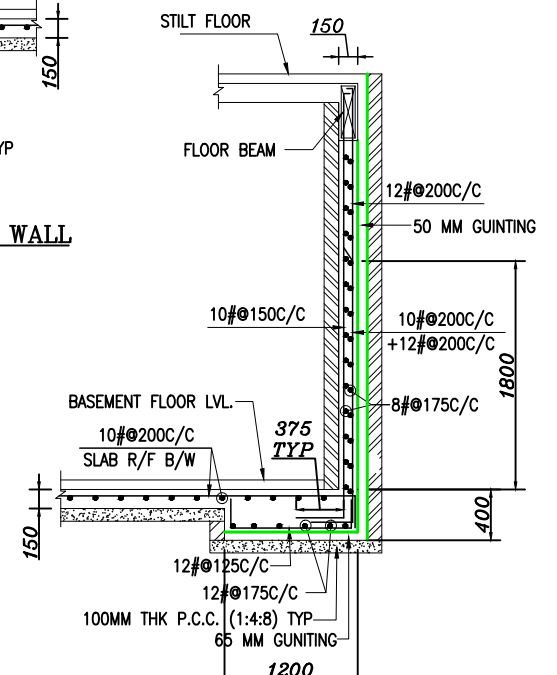
TYP. R/F DET. OF FTG. MKD. F1
SECTION 1-1



TYP. R/F DET. OF FTG. MKD. F2 TO F6
SECTION 2-2

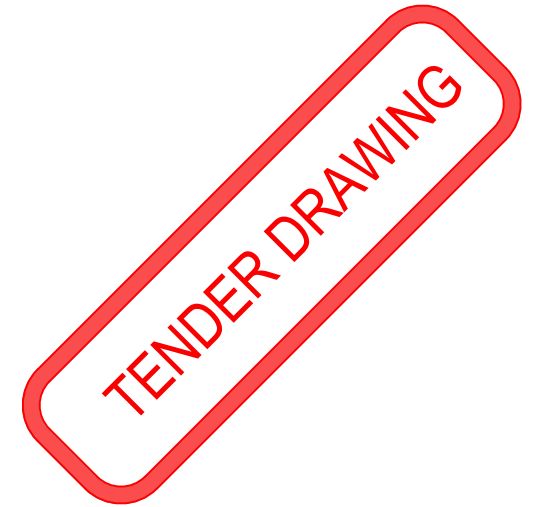


TYP. R/F DET. OF RETAINING WALL
SECTION 5-5



TYP. R/F DET. OF RETAINING WALL
SECTION 6-6

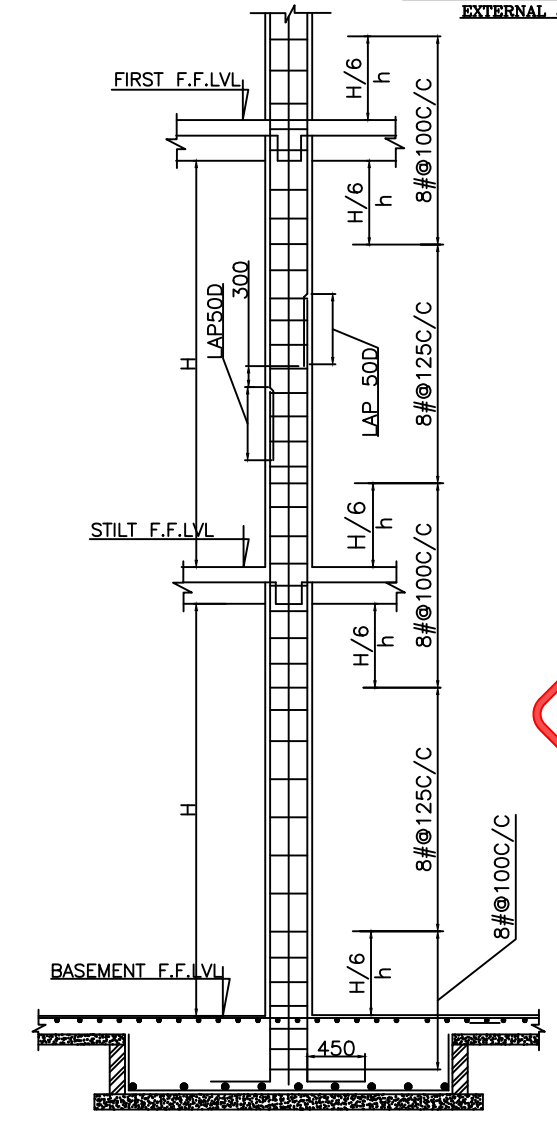
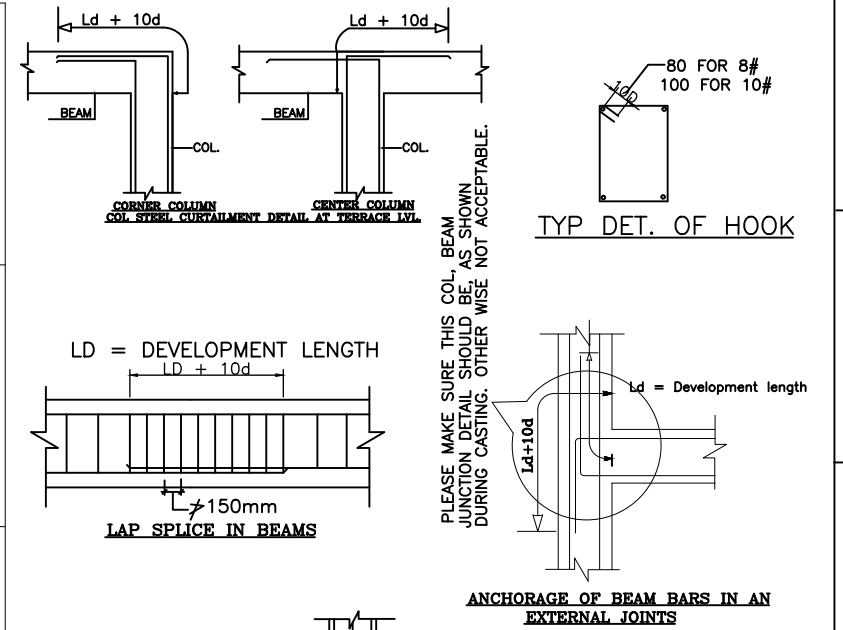
S.NO.	FOOTING NO.	FTG. SIZE (L X B)	D	MAIN BARS (a)	CROSS BARS (b)	TOP BARS (c)
1.	F1	AS/PLAN	800	16#@100 C/C	16#@100 C/C	10#@150 C/C
2.	F2	AS/PLAN	800	16#@100 C/C	16#@100 C/C	10#@150 C/C
3.	F3	(3800X2400)	750	16#@125 C/C	16#@125 C/C	10#@200 C/C
4.	F4	(7700X2200)	700	16#@150 C/C	16#@150 C/C	10#@200 C/C
5.	F5	(6800X2600)	850	16#@100 C/C	16#@100 C/C	10#@200 C/C
6.	F6	(2800X2400)	800	16#@100 C/C	16#@100 C/C	10#@200 C/C
7.	F7	AS/PLAN	650	16#@100 C/C	16#@100 C/C	10#@200 C/C



PROJECT STAFF RESIDENCE FOR SET ON PLOTS 53/11,12,13,14 AT RAJINDER NAGAR	STRUCTURE CONSULTANT : Benival Associate Pvt. Ltd. Structural Engineers & Architects 7/2 Sarvapriya Vihar, Rear Basement, New Delhi 110016 Mob. +91-9810263434, 011-45542991 Email- bapldwarka@gmail.com	Arch. CONSULTANT : NITESH MINOCHA ARCHITECTS ARCHITECTURE INTERIOR DESIGN K-2115, C.R. PARK, NEW DELHI - 110019, INDIA TEL: 011-4909 3488, 4909 1688	REVISION:-00	CLIENT :			NOTES:- 1. ALL DIMENSIONS ARE IN MM. 2. READ THIS DRG. IN CONJUNCTION WITH ARCHITECTURAL DRAWINGS. 3. CONCRETE GRADE M25 SHALL BE USED FOR ALL R.C.C WORK 4. ALL R/F STEEL BARS SHALL BE H.Y.S.D BARS OF GRADE Fe-500 CONFORMING TO I.S 1786.	5. MINIMUM LAP LENGTH OF BARS SHALL BE 50xD. LAPS IN BARS SHALL BE STAGGERED SUCH THAT NOT MORE THAN 50% OF BARS ARE LAPPED AT ANY ONE SECTION. 6. CLEAR COVER TO MAIN REINFORCEMENTS SHALL BE AS FOLLOWS:- (1) FOUNDATION =50MM (2) COLUMN =40MM (3) BEAM =30MM (4) R.C.C. WALL =30MM	7. DO NOT SCALE, WORK TO DIMENSIONS ONLY. 8. SAFE BEARING CAPACITY OF SOIL HAS BEEN TAKEN AS 16 TON/SQM BELOW 3.0m FROM N.G.L. 9. FOUNDATION HAS BEEN DESIGNED FOR BASEMENT, STILT, FIRST, SECOND, THIRD&THIRD, TERRAC FLOORS ONLY.
			DRAWN BY: Rahul CHKD. BY: D.BENIWAL SCALE: SCALE TO FIT DATE: 12.01.2023 DRG. TYPE: WORKING JOB CODE:	DRAWING NO. SHEET BLOCK ST-01 NO-02 ---					
TITLE FOUNDATION DETAIL									

DO NOT SCALE. ASK, IF IN DOUBT

	THIRD FLOOR ROOF TO TERRACE FLOOR ROOF											
COL SECTION												
SIZE	(300X600)	(300X600)	(300X600)	(300X600)	(300X600)	(230X600)	AS/PLAN	(300X875)				
	6 NOS.20# (a) 6 NOS.16#	8 NOS.20# (a) 4 NOS.16#	4 NOS.20# (a) 8 NOS.16#	12 NOS.16#	12 NOS.16#	12 NOS.16#	16 NOS.16#	12 NOS.16#(a) 6 NOS.12#				
	SECOND FLOOR ROOF TO THIRD FLOOR ROOF											
COL SECTION												
SIZE	(300X600)	(300X600)	(300X600)	(300X600)	(300X600)	(230X600)	AS/PLAN	(300X875)				
	12 NOS.20#	8 NOS.20# (a) 4 NOS.16#	4 NOS.20# (a) 8 NOS.16#	12 NOS.16#	12 NOS.16#	12 NOS.16#	16 NOS.16#	12 NOS.16#(a) 6 NOS.12#				
	FIRST FLOOR ROOF TO SECOND FLOOR ROOF											
COL SECTION												
SIZE	(300X600)	(300X600)	(300X600)	(300X600)	(300X600)	(230X600)	AS/PLAN	(300X875)				
	12 NOS.20#	12 NOS.20#	6 NOS.20# (a) 6 NOS.16#	4 NOS.20# (a) 8 NOS.16#	4 NOS.20# (a) 8 NOS.16#	4 NOS.20# (a) 8 NOS.16#	16 NOS.16#	18 NOS.16#				
	STILT FLOOR ROOF TO FIRST FLOOR ROOF											
COL SECTION												
SIZE	(300X600)	(300X600)	(300X600)	(300X600)	(300X600)	(230X600)	AS/PLAN	(300X875)				
	4 NOS.25#(a) 8 NOS.20#	4 NOS.25# (a) 8 NOS.20#	6 NOS.20# (a) 6 NOS.16#	4 NOS.20# (a) 8 NOS.16#	4 NOS.20# (a) 8 NOS.16#	4 NOS.20# (a) 8 NOS.16#	6 NOS.20# (a) 10 NOS.16#	4 NOS.20#(a) 14 NOS.16#				
	BASEMENT FLOOR ROOF TO STILT FLOOR ROOF											
COL SECTION												
SIZE	(375X600)	(300X600)	(300X600)	(300X600)	(300X600)	(230X600)	AS/PLAN	(300X875)				
TIES	(A+B+C+D)	(A+B+C+D)	(A+B+C+D)	(A+B+C+D)	(A+B+C+D)	(A+B+C+D)	(A+B+C+D+E)	(A+B+C+D+E)				
	FOUNDATION TO BASEMENT FLOOR ROOF											
COL SECTION												
SIZE	(375X600)	(300X600)	(300X600)	(300X600)	(300X600)	(230X600)	AS/SHAPE	(300X875)				
COL MKD	COL MKD.C-1	COL MKD.C-2	COL MKD.C-3	COL MKD.C-4	COL MKD.C-5	COL MKD.C-6	COL MKD.C-7	COL MKD.C-8				
CONC. MIX	M-25	M-25	M-25	M-25	M-25	M-25	M-25	M-25				
DIA OF TIES	8#	8#	8#	8#	8#	8#	8#	8#				



TENDER DRAWING

PROJECT: STAFF RESIDENCE FOR SET ON PLOTS 53/11,12,13,14 AT RAJINDER NAGAR

TITLE: COLUMN CURTAILMENT DETAIL

STRUCTURAL CONSULTANT : Beniwal Associate Pvt. Ltd. Structural Engineers & Architects 7/2 Sarvapriya Vihar, Rear Basement, New Delhi 110016 Mob. +91-9810263434, 011-45542991 Email: bapldwarka@gmail.com

ARCHITECT: NITESH MINOCHA ARCHITECTS ARCHITECTURE INTERIOR DESIGN K-215, CA. PARK, NEW DELHI - 110019, INDIA TEL: 011-4909 3488, 4909 1688

REVISION :-00

DRAWN BY	Rahul
CHKD. BY	D.BENIWAL
SCALE	SCALE TO FIT
DATE	12.01.2023
DRG. TYPE	WORKING
JOB CODE	

DRAWING NO. 01 SHEET NO. 03

NOTES:-

- ALL DIMENSIONS ARE IN MM.
- READ THIS DRG. IN CONJUNCTION WITH ARCHITECTURAL DRAWINGS.
- CONCRETE GRADE M25 SHALL BE USED FOR ALL R.C.C WORK
- ALL R/F STEEL BARS SHALL BE H.Y.S.D BARS OF GRADE Fe-500 CONFORMING TO IS 1786.

5. MINIMUM LAP LENGTH OF BARS SHALL BE 50xD. LAPS IN BARS SHALL BE STAGGERED SUCH THAT NOT MORE THAN 50% OF BARS ARE LAPPED AT ANY ONE SECTION.

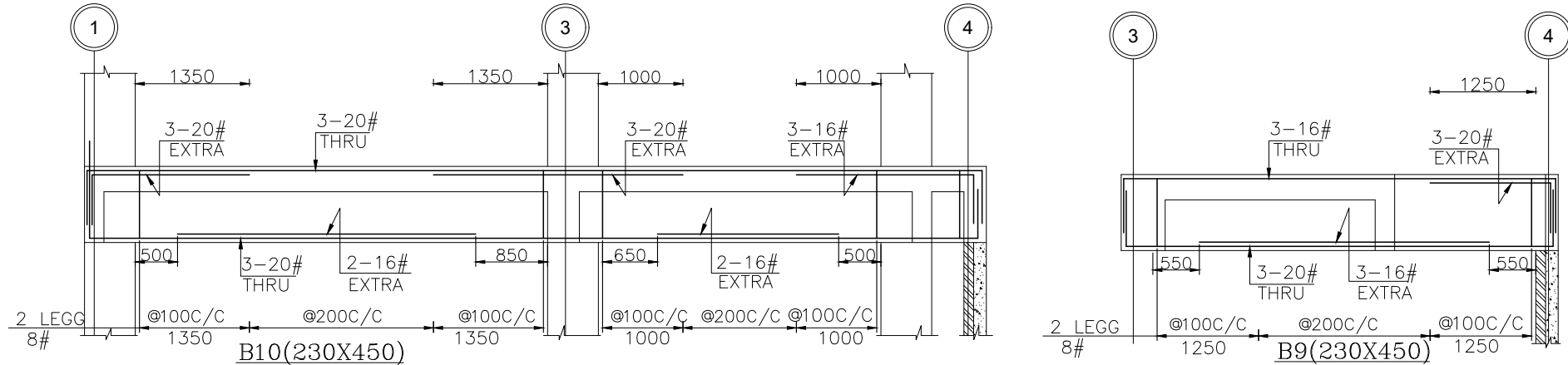
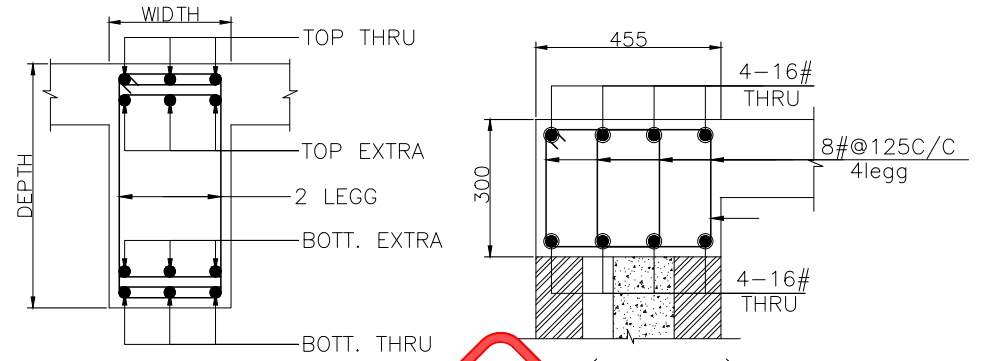
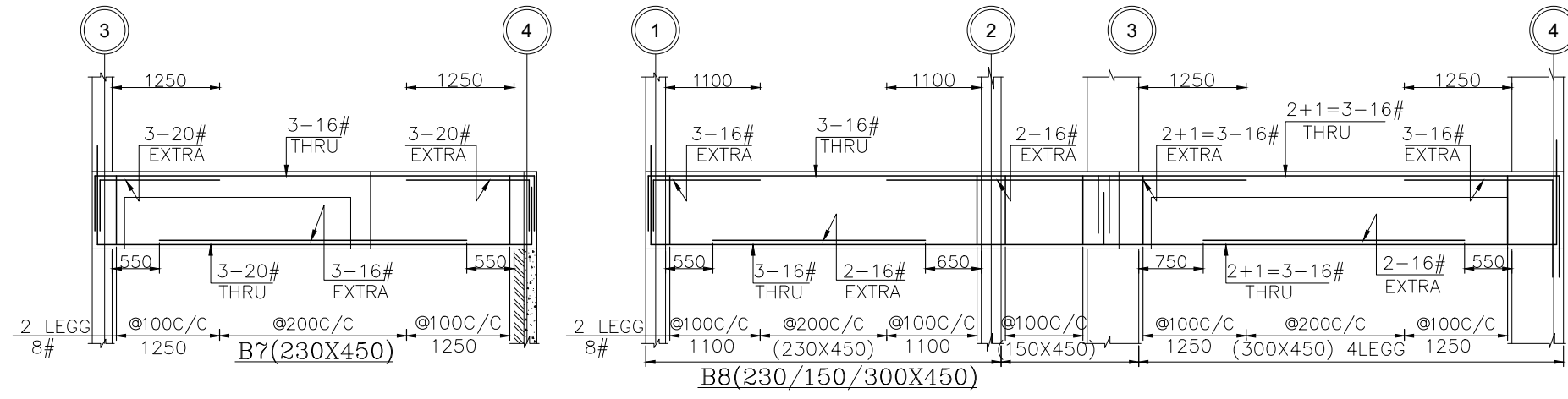
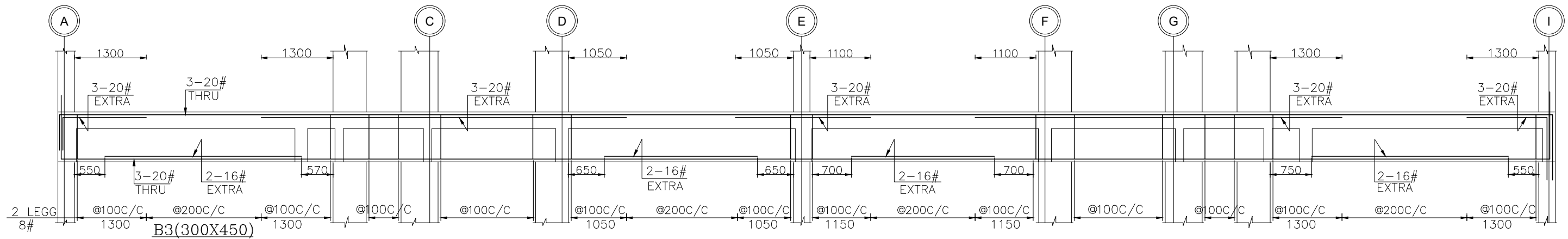
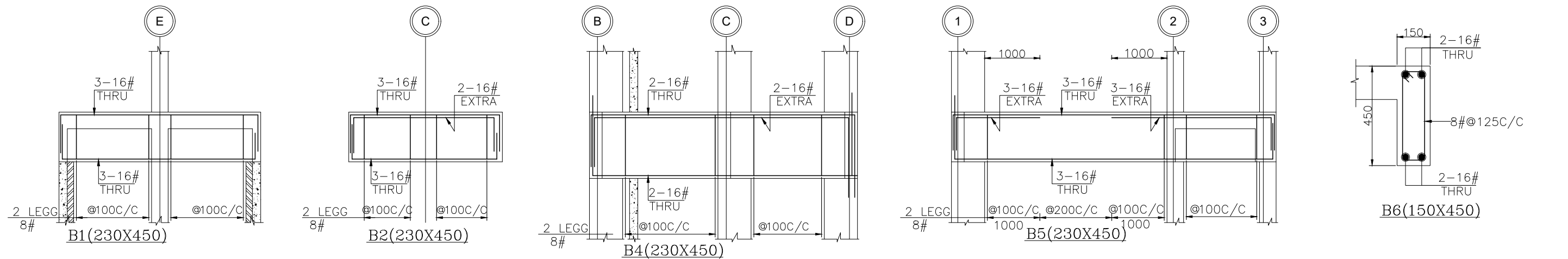
6. CLEAR COVER TO MAIN REINFORCEMENTS SHALL BE AS FOLLOWS:-

(1) FOUNDATION	=50MM
(2) COLUMN	=40MM
(3) BEAM	=30MM
(4) R.C.C. WALL	=30MM

7. DO NOT SCALE, WORK TO DIMENSIONS ONLY.

8. SAFE BEARING CAPACITY OF SOIL HAS BEEN TAKEN AS 16 TON/SQM BELOW 3.0m FROM N.G.L.

9. FOUNDATION HAS BEEN DESIGNED FOR BASEMENT, STILT, FIRST, SECOND, THIRD&THIRD, TERRAC FLOORS ONLY.



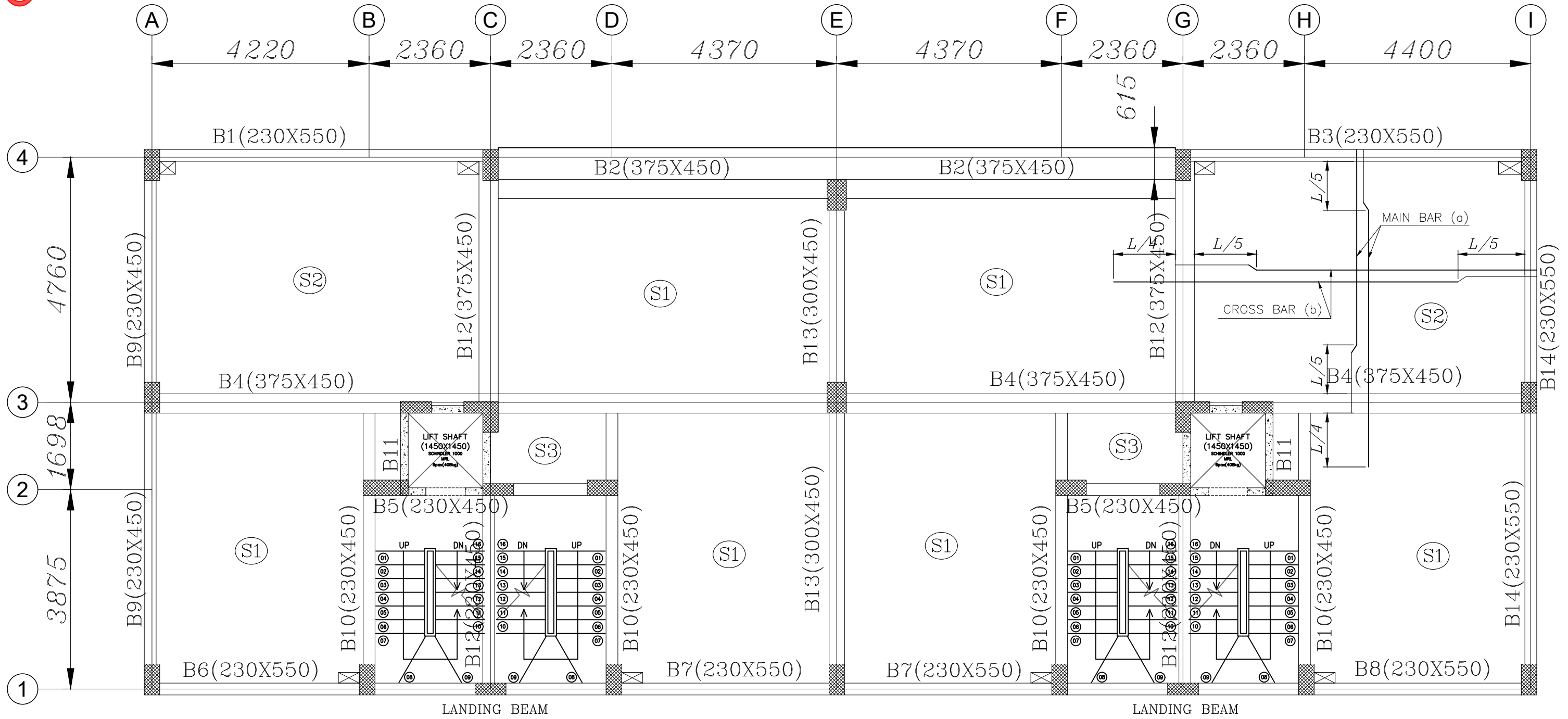
TENDER DRAWING

STEEL CHART FOR SLAB					
SLAB MARK	SLAB THK.	SUNKEN	MAIN BAR (a)	CROSS BAR (a)	TOP EXTRA BAR (C) (dia of bar)
S1	150 THK	NO SUNK	10#@150C/C	10#@200C/C	10#
S2	150 THK	NO SUNK	10#@125C/C	10#@175C/C	10#
S3	165 THK	SUNK	8#@150C/C	8#@175C/C	8#

DOUBLE SPACING OF MAIN OR CROSS BAR AT DISCONTINUOUS EDGE FOR ALL PANEL


<p>PROJECT STAFF RESIDENCE FOR SET ON PLOTS 53/11,12,13,14 AT RAJINDER NAGAR</p> <p>TITLE BASEMENT FLOOR ROOF SLAB BEAM DETAIL</p>	<p>STRUCTURE CONSULTANT : Beniwal Associate Pvt. Ltd. Structural Engineers & Architects 7/2 Sarvapriya Vihar, Rear Basement, New Delhi 110016 Mob. +91-9810263434, 011-45542991 Email- bapldwarka@gmail.com</p>	<p>Arch. CONSULTANT : NITESH MINOCHA ARCHITECTS ARCHITECTURE INTERIOR DESIGN K-2115, C.R. PARK, NEW DELHI - 110019, INDIA TEL: 011-4909 3488, 4909 1688</p>	<p>REVISION: -00</p> <table border="1" style="font-size: 8px;"> <tr><td>DRAWN BY</td><td>Rahul</td></tr> <tr><td>CHKD. BY</td><td>D.BENIWAL</td></tr> <tr><td>SCALE</td><td>SCALE TO FIT</td></tr> <tr><td>DATE</td><td>12.01.2023</td></tr> <tr><td>DRG. TYPE</td><td>WORKING</td></tr> <tr><td>JOB CODE</td><td></td></tr> </table>	DRAWN BY	Rahul	CHKD. BY	D.BENIWAL	SCALE	SCALE TO FIT	DATE	12.01.2023	DRG. TYPE	WORKING	JOB CODE		<p>CLIENT :</p> <table border="1" style="font-size: 8px;"> <tr><td>DRAWING NO.</td><td>ST-02</td></tr> <tr><td>SHEET</td><td>NO-02</td></tr> <tr><td>BLOCK</td><td>---</td></tr> </table>	DRAWING NO.	ST-02	SHEET	NO-02	BLOCK	---	<p>NOTES:-</p> <ol style="list-style-type: none"> ALL DIMENSIONS ARE IN MM. READ THIS DRG. IN CONJUNCTION WITH ARCHITECTURAL DRAWINGS. CONCRETE GRADE M25 SHALL BE USED FOR ALL R.C.C WORK ALL R/F STEEL BARS SHALL BE H.Y.S.D BARS OF GRADE Fe-500 CONFORMING TO I.S 1786. 	<ol style="list-style-type: none"> MINIMUM LAP LENGTH OF BARS SHALL BE 50xD. LAPS IN BARS SHALL BE STAGGERED SUCH THAT NOT MORE THAN 50% OF BARS ARE LAPPED AT ANY ONE SECTION. CLEAR COVER TO MAIN REINFORCEMENTS SHALL BE AS FOLLOWS:- (2) COLUMN =40MM (3) BEAM =30MM (4) SLAB =20MM DO NOT SCALE READ ONLY WRITTEN DIMENSIONS. (-----) SIGN SHOWS TOP BARS (---) SIGN SHOWS BOTTOM BARS ○ SIGN SHOWS SIMILAR SLAB PANNALS ⊥ SIGN SHOWS SUNK SLAB PANNALS.
DRAWN BY	Rahul																							
CHKD. BY	D.BENIWAL																							
SCALE	SCALE TO FIT																							
DATE	12.01.2023																							
DRG. TYPE	WORKING																							
JOB CODE																								
DRAWING NO.	ST-02																							
SHEET	NO-02																							
BLOCK	---																							

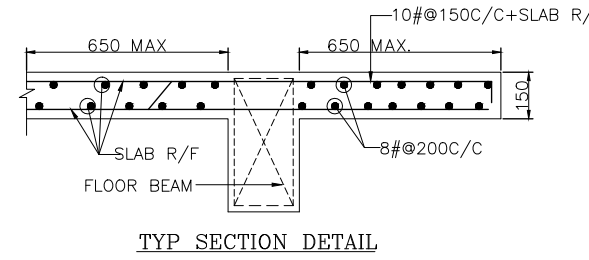
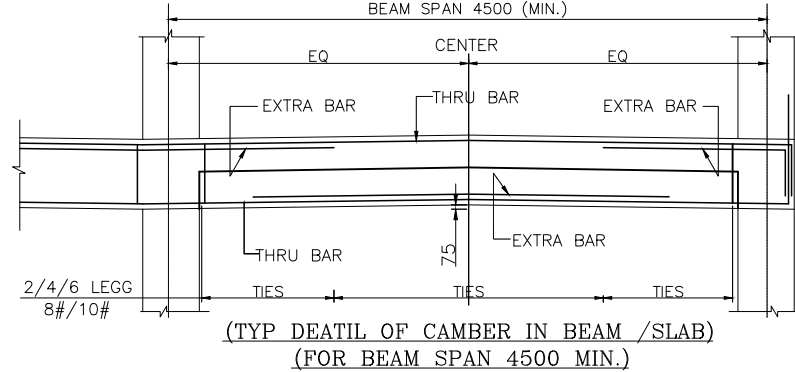
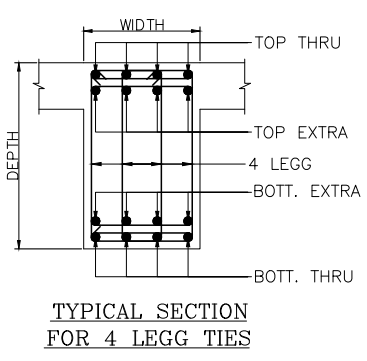
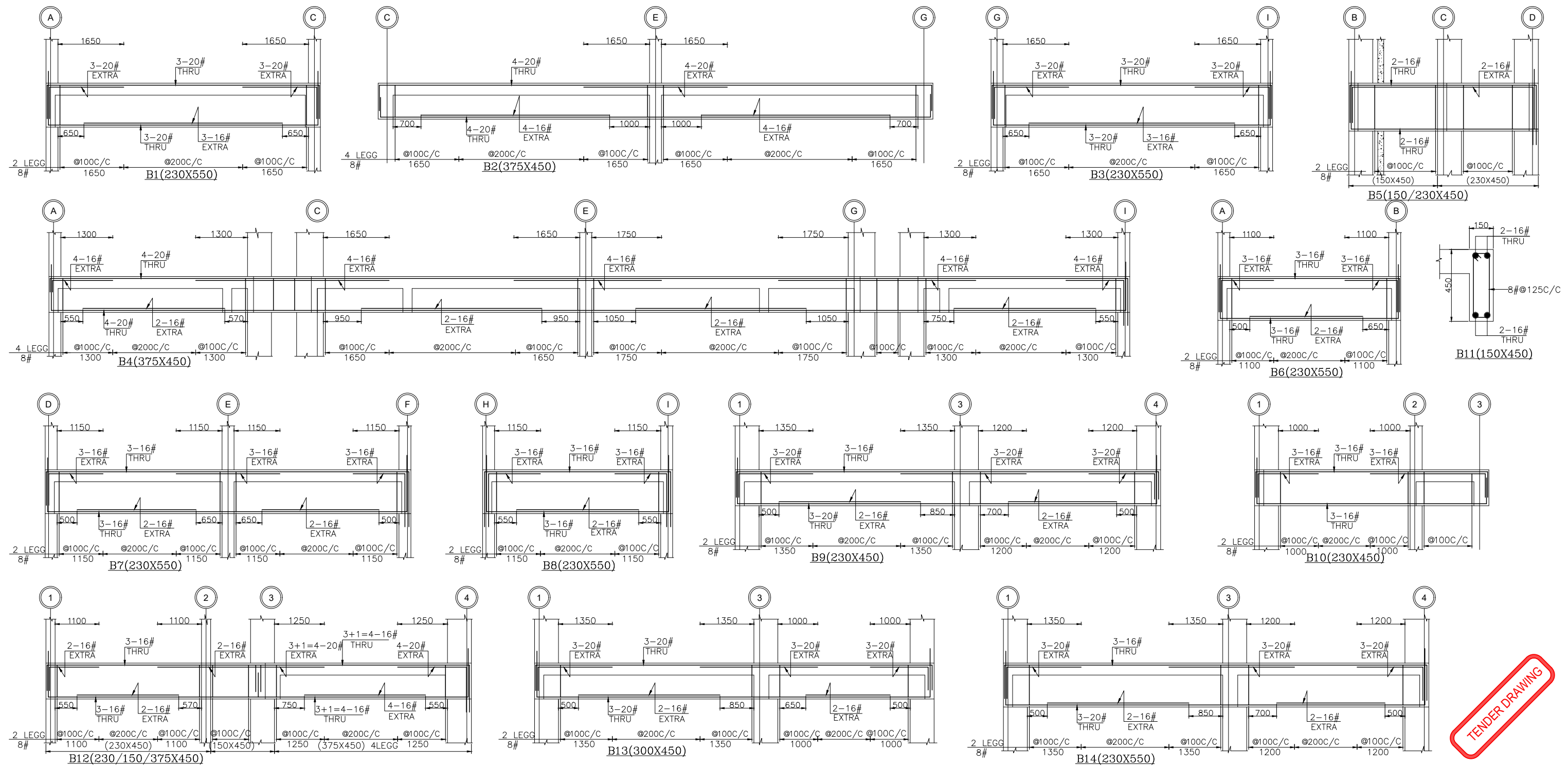
TENDER DRAWING



STILT FLOOR ROOF SLAB 150MM THK. (U.N.O.)

(DISTRIBUTION STEEL IN SLAB WHERE NOT SHOWN SHALL BE 8#@200C/C/ AT TOP)

PROJECT STAFF RESIDENCE FOR SET ON PLOTS 53/11,12,13,14 AT RAJINDER NAGAR		STRUCTURE CONSULTANT :  Beniwal Associate Pvt. Ltd. Structural Engineers & Architects 7/2 Sarvapriya Vihar, Rear Basement, New Delhi - 110016 Mob. +91-9810263434, 011-45542991 Email- bapldwarka@gmail.com		Arch. CONSULTANT : NITESH MINOCHA ARCHITECTS ARCHITECTURE INTERIOR DESIGN K-2115, C.R. PARK, NEW DELHI - 110019, INDIA TEL: 011-4909 3488, 4909 1688		REVISION: -00 DRAWN BY: Rahul CHKD. BY: D.BENIWAL SCALE: SCALE TO FIT DATE: 28.11.2022 DRG. TYPE: WORKING JOB CODE:		CLIENT : DRAWING NO. SHEET BLOCK ST-03 NO-01 ---			NOTES:- 1. ALL DIMENSIONS ARE IN MM. 2. READ THIS DRG. IN CONJUNCTION WITH ARCHITECTURAL DRAWINGS. 3. CONCRETE GRADE M25 SHALL BE USED FOR ALL R.C.C WORK 4. ALL R/F STEEL BARS SHALL BE H.Y.S.D BARS OF GRADE Fe-500 CONFORMING TO I.S 1786.			5. MINIMUM LAP LENGTH OF BARS SHALL BE 50xD. LAPS IN BARS SHALL BE STAGGERED SUCH THAT NOT MORE THAN 50% OF BARS ARE LAPPED AT ANY ONE SECTION. 6. CLEAR COVER TO MAIN REINFORCEMENTS SHALL BE AS FOLLOWS:- (2) COLUMN =40MM (3) BEAM =30MM (4) SLAB =20MM		7. DO NOT SCALE READ ONLY WRITTEN DIMENSIONS. 8. (-----) SIGN SHOWS TOP BARS 9. (---) SIGN SHOWS BOTTOM BARS 10. (○) SIGN SHOWS SIMILAR SLAB PANNELS 11. (⊥) SIGN SHOWS SUNK SLAB PANNELS.	
---	--	--	--	--	--	--	--	---	--	--	--	--	--	--	--	--	--

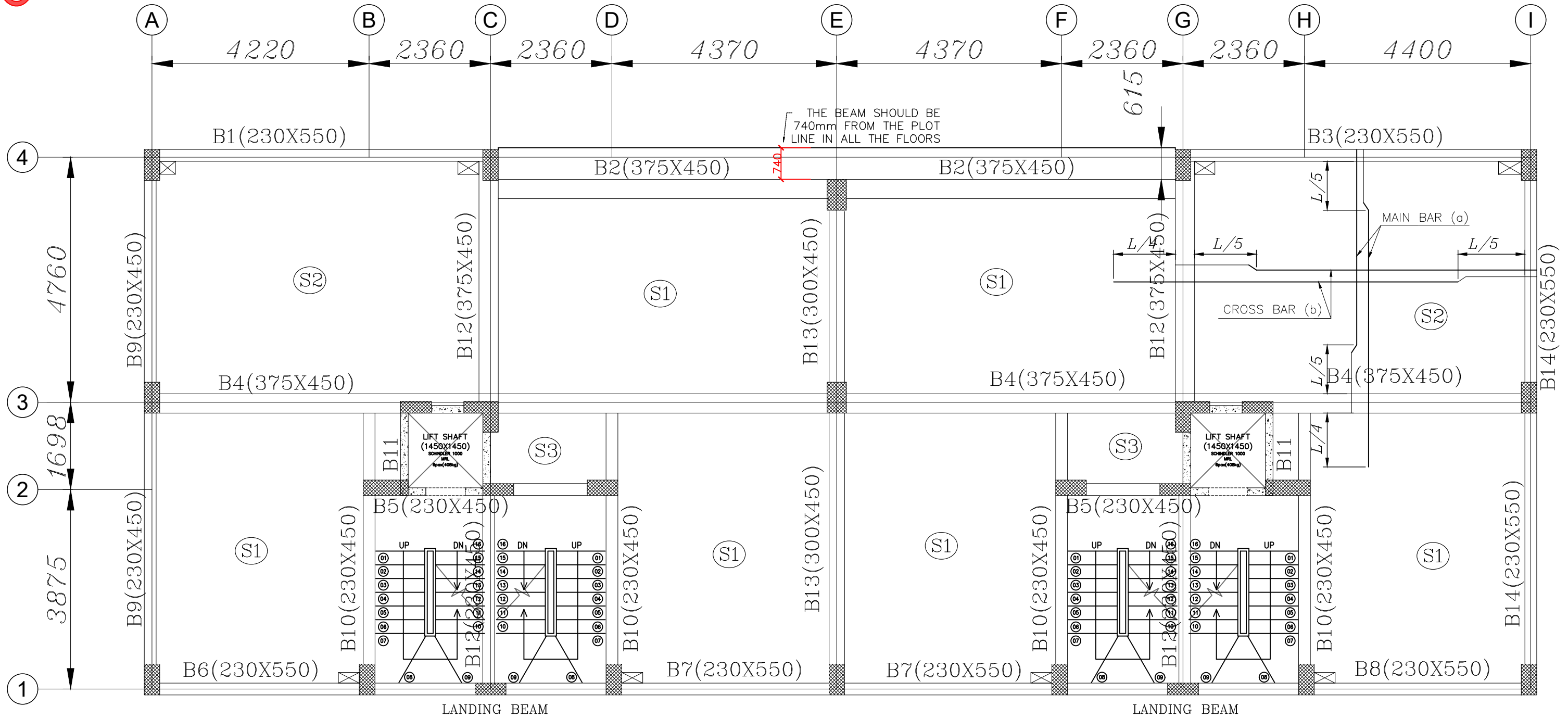


STEEL CHART FOR SLAB					
SLAB MARK	SLAB THK.	SUNKEN	MAIN BAR (a)	CROSS BAR (a)	TOP EXTRA BAR (C) (dia of bar)
S1	150 THK	NO SUNK	10#@150C/C	10#@200C/C	10#
S2	150 THK	NO SUNK	10#@125C/C	10#@175C/C	10#
S3	150 THK	NO SUNK	8#@150C/C	8#@175C/C	8#

DOUBLE SPACING OF MAIN OR CROSS BAR AT DISCONTINUOUS EDGE FOR ALL PANEL

PROJECT STAFF RESIDENCE FOR SET ON PLOTS 53/11.12.13.14 AT RAJINDER NAGAR		STRUCTURE CONSULTANT : Beniwal Associate Pvt. Ltd. Structural Engineers & Architects 7/2 Sarvapriya Vihar, Rear Basement, New Delhi 110016 Mob. +91-9810263434, 011-45542991 Email- bapldwarka@gmail.com		Arch. CONSULTANT : NITESH MINOCHA ARCHITECTS ARCHITECTURE INTERIOR DESIGN K-2115, CR. PARK, NEW DELHI - 110019, INDIA TEL: 011-4909 3488, 4909 1688		REVISION:--00 DRAWN BY: Rahul CHKD. BY: D.BENIWAL SCALE: SCALE TO FIT DATE: 28.11.2022 DRG. TYPE: WORKING JOB CODE:		CLIENT : DRAWING NO. ST-03 SHEET NO-02 BLOCK: ---		NOTES:-- 1. ALL DIMENSIONS ARE IN MM. 2. READ THIS DRG. IN CONJUNCTION WITH ARCHITECTURAL DRAWINGS. 3. CONCRETE GRADE M25 SHALL BE USED FOR ALL R.C.C WORK 4. ALL R/F STEEL BARS SHALL BE H.Y.S.D BARS OF GRADE Fe-500 CONFORMING TO I.S 1786.		5. MINIMUM LAP LENGTH OF BARS SHALL BE 50xD. LAPS IN BARS SHALL BE STAGGERED SUCH THAT NOT MORE THAN 50% OF BARS ARE LAPPED AT ANY ONE SECTION. 6. CLEAR COVER TO MAIN REINFORCEMENTS SHALL BE AS FOLLOWS:-- (2) COLUMN =40MM (3) BEAM =30MM (4) SLAB =20MM		7. DO NOT SCALE READ ONLY WRITTEN DIMENSIONS. 8. (-----) SIGN SHOWS TOP BARS 9. (---) SIGN SHOWS BOTTOM BARS 10. (○) SIGN SHOWS SIMILAR SLAB PANNELS 11. (◡) SIGN SHOWS SUNK SLAB PANNELS.	
---	--	--	--	--	--	--	--	---	--	---	--	---	--	--	--

TENDER DRAWING



FIRST FLOOR ROOF SLAB 150MM THK. (U.N.O.)

(DISTRIBUTION STEEL IN SLAB WHERE NOT SHOWN SHALL BE 8#@200C/C/ AT TOP)

PROJECT STAFF RESIDENCE FOR SET ON PLOTS 53/11,12,13,14 AT RAJINDER NAGAR
TITLE FIRST FLOOR ROOF SLAB PLAN

STRUCTURE CONSULTANT : Beniwal Associate Pvt. Ltd.
Structural Engineers & Architects
7/2 Sarvapriya Vihar, Rear Basement, New Delhi 110016
Mob. +91-9810263434, 011-45542991
Email- bapldwarka@gmail.com

Arch. CONSULTANT : NITESH MINOCHA ARCHITECTS
ARCHITECTURE INTERIOR DESIGN
K-2115, C.R. PARK, NEW DELHI - 110019, INDIA
TEL: 011-4909 3488, 4909 1688

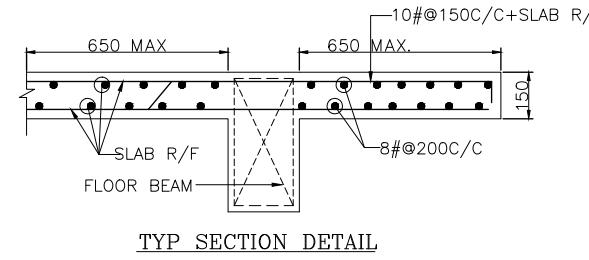
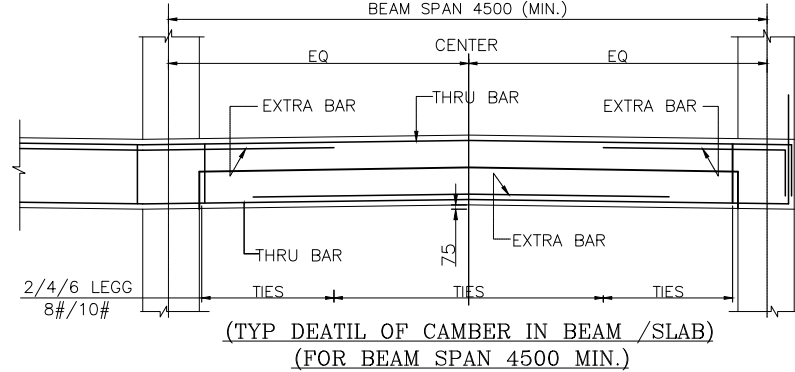
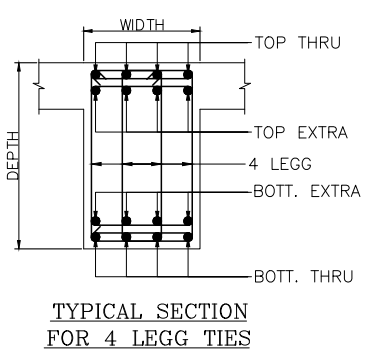
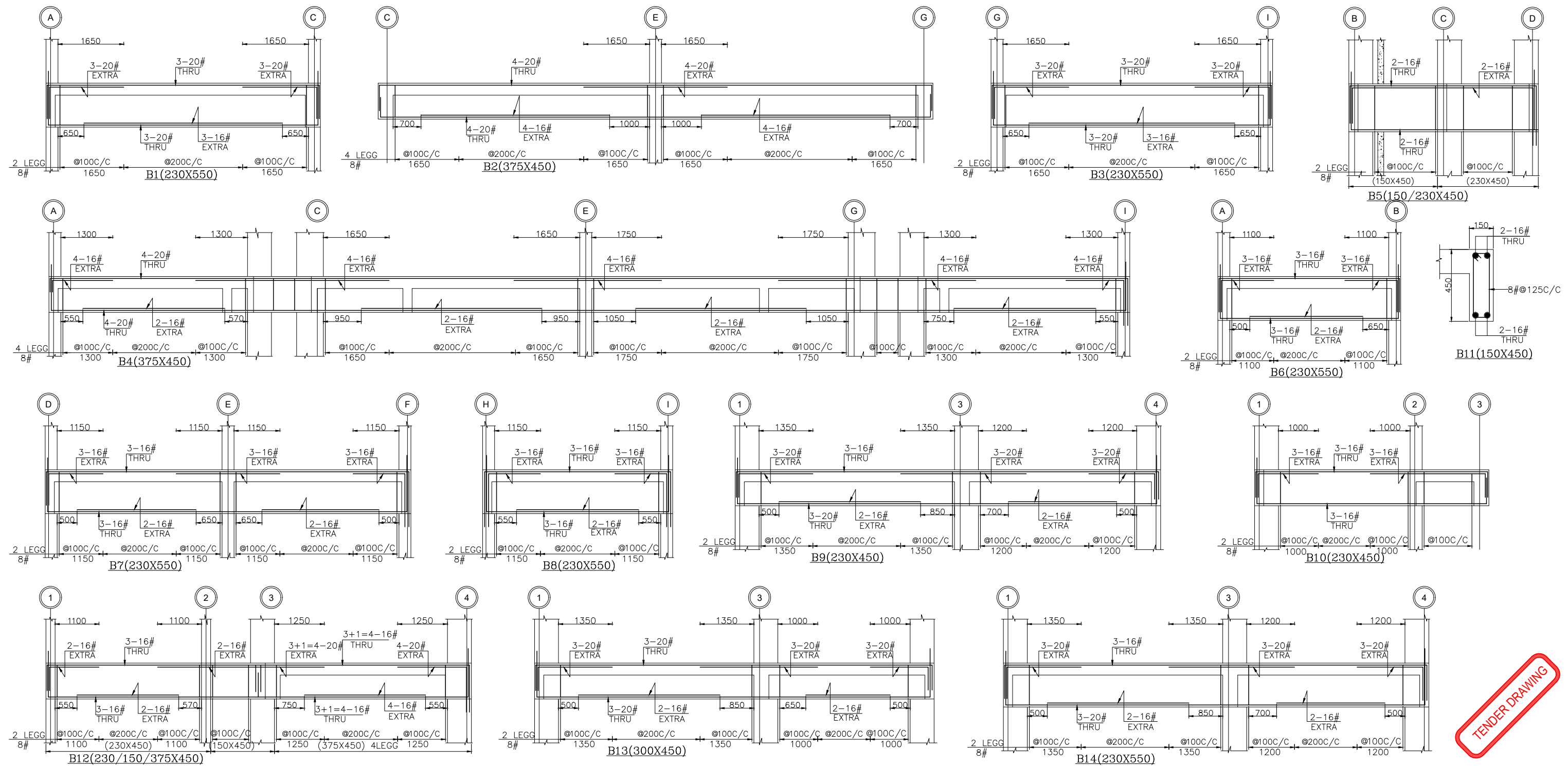
REVISION: -00
DRAWN BY: Rahul
CHKD. BY: D.BENIWAL
SCALE: SCALE TO FIT
DATE: 28.11.2022
DRG. TYPE: WORKING
JOB CODE:

CLIENT :
DRAWING NO. ST-04
SHEET NO-01
BLOCK - - -

NOTES:-
1. ALL DIMENSIONS ARE IN MM.
2. READ THIS DRG. IN CONJUNCTION WITH ARCHITECTURAL DRAWINGS.
3. CONCRETE GRADE M25 SHALL BE USED FOR ALL R.C.C WORK
4. ALL R/F STEEL BARS SHALL BE H.Y.S.D BARS OF GRADE Fe-500 CONFORMING TO I.S 1786.

5. MINIMUM LAP LENGTH OF BARS SHALL BE 50xD. LAPS IN BARS SHALL BE STAGGERED SUCH THAT NOT MORE THAN 50% OF BARS ARE LAPPED AT ANY ONE SECTION.
6. CLEAR COVER TO MAIN REINFORCEMENTS SHALL BE AS FOLLOWS:-
(2) COLUMN =40MM
(3) BEAM =30MM
(4) SLAB =20MM

7. DO NOT SCALE READ ONLY WRITTEN DIMENSIONS.
8. (-----) SIGN SHOWS TOP BARS
9. (---) SIGN SHOWS BOTTOM BARS
10. (O) SIGN SHOWS SIMILAR SLAB PANNELS
11. (L) SIGN SHOWS SUNK SLAB PANNELS.



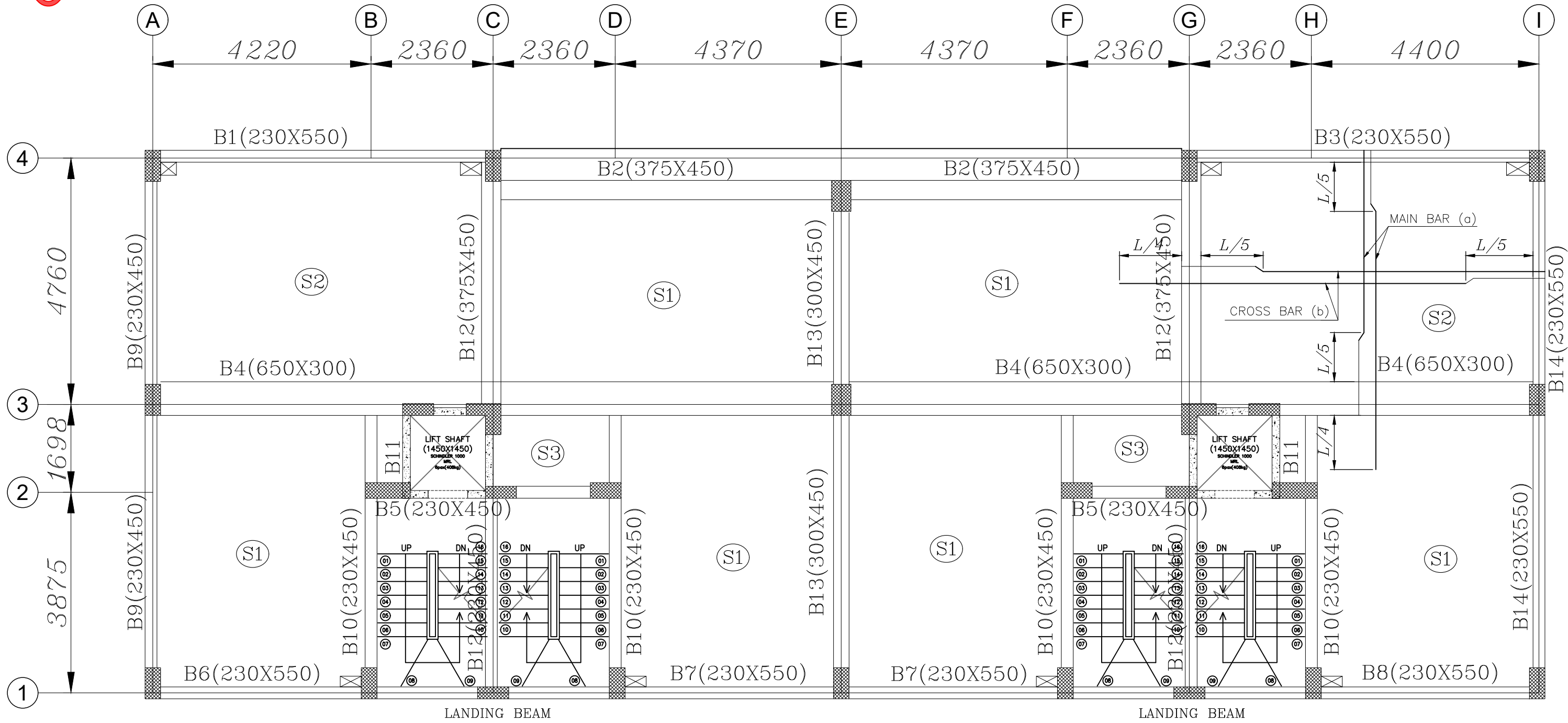
STEEL CHART FOR SLAB					
SLAB MARK	SLAB THK.	SUNKEN	MAIN BAR (a)	CROSS BAR (a)	TOP EXTRA BAR (C) (dia of bar)
S1	150 THK	NO SUNK	10#@150C/C	10#@200C/C	10#
S2	150 THK	NO SUNK	10#@125C/C	10#@175C/C	10#
S3	150 THK	NO SUNK	8#@150C/C	8#@175C/C	8#

DOUBLE SPACING OF MAIN OR CROSS BAR AT DISCONTINUOUS EDGE FOR ALL PANEL

TENDER DRAWING

PROJECT	STAFF RESIDENCE FOR SET ON PLOTS 53/11.12.13.14 AT RAJINDER NAGAR	STRUCTURE CONSULTANT :	Beniwal Associate Pvt. Ltd. Structural Engineers & Architects 7/2 Sarvapriya Vihar, Rear Basement, New Delhi 110016 Mob. +91-9810263434, 011-45542991 Email- bapldwarka@gmail.com	Arch. CONSULTANT :	NITESH MINOCHA ARCHITECTS ARCHITECTURE INTERIOR DESIGN K-2115, C.R. PARK, NEW DELHI - 110019, INDIA TEL: 011-4909 3488, 4909 1688	REVISION:--00	CLIENT :	NOTES:--	5. MINIMUM LAP LENGTH OF BARS SHALL BE 50xD. LAPS IN BARS SHALL BE STAGGERED SUCH THAT NOT MORE THAN 50% OF BARS ARE LAPPED AT ANY ONE SECTION.	7. DO NOT SCALE READ ONLY WRITTEN DIMENSIONS.
TITLE	FIRST FLOOR ROOF SLAB BEAM DETAIL					DRAWN BY: Rahul CHKD. BY: D.BENIWAL SCALE: SCALE TO FIT DATE: 28.11.2022 DRG. TYPE: WORKING JOB CODE:	DRAWING NO. SHEET BLOCK ST-04 NO-02 ---	1. ALL DIMENSIONS ARE IN MM. 2. READ THIS DRG. IN CONJUNCTION WITH ARCHITECTURAL DRAWINGS. 3. CONCRETE GRADE M25 SHALL BE USED FOR ALL R.C.C WORK 4. ALL R/F STEEL BARS SHALL BE H.Y.S.D BARS OF GRADE Fe-500 CONFORMING TO I.S 1786.	8. (-----) SIGN SHOWS TOP BARS 9. (---) SIGN SHOWS BOTTOM BARS 10. ○ SIGN SHOWS SIMILAR SLAB PANNELS 11. □ SIGN SHOWS SUNK SLAB PANNELS.	

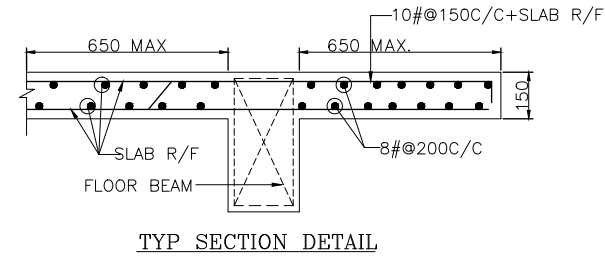
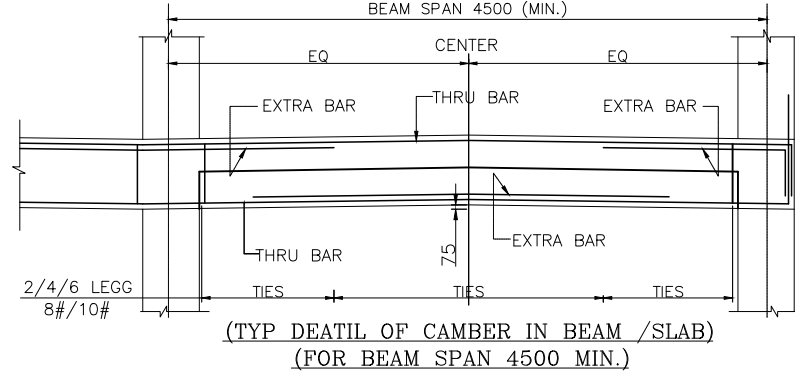
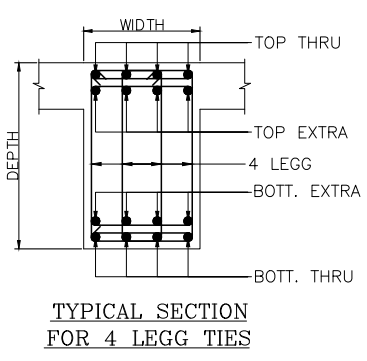
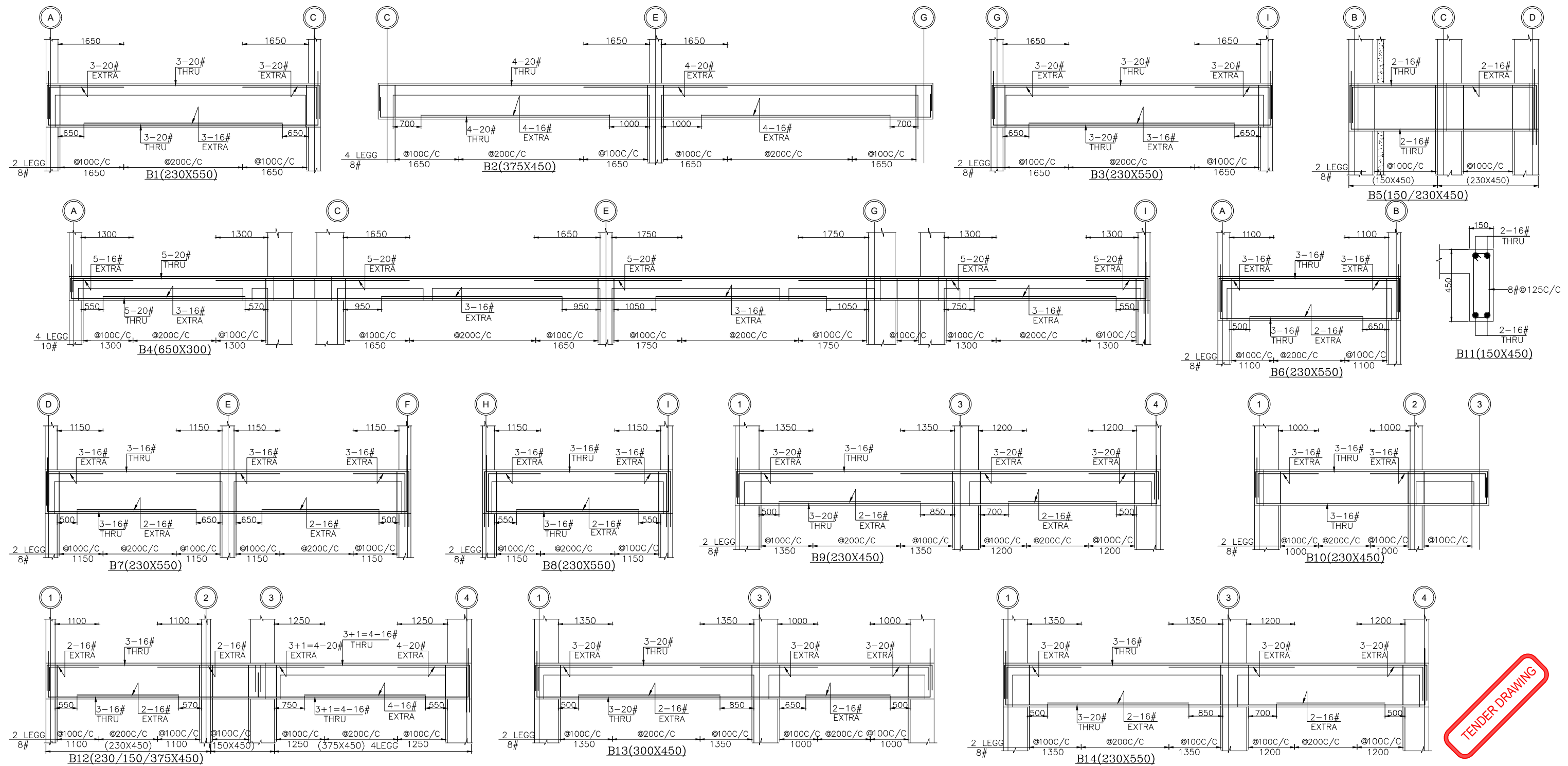
TENDER DRAWING



SECOND FLOOR ROOF SLAB 150MM THK. (U.N.O.)

(DISTRIBUTION STEEL IN SLAB WHERE NOT SHOWN SHALL BE 8#@200C/C/ AT TOP)

PROJECT STAFF RESIDENCE FOR SET ON PLOTS 53/11,12,13,14 AT RAJINDER NAGAR	STRUCTURE CONSULTANT : Beniwal Associate Pvt. Ltd. Structural Engineers & Architects 7/2 Sarvapriya Vihar, Rear Basement, New Delhi - 110016 Mob. +91-9810263434, 011-45542991 Email- bapldwarka@gmail.com	Arch. CONSULTANT : NITESH MINOCHA ARCHITECTS ARCHITECTURE INTERIOR DESIGN K-2115, C.R. PARK, NEW DELHI - 110019, INDIA TEL: 011-4909 3488, 4909 1688	REVISION: -00	CLIENT :			NOTES:- 1. ALL DIMENSIONS ARE IN MM. 2. READ THIS DRG. IN CONJUNCTION WITH ARCHITECTURAL DRAWINGS. 3. CONCRETE GRADE M25 SHALL BE USED FOR ALL R.C.C WORK 4. ALL R/F STEEL BARS SHALL BE H.Y.S.D BARS OF GRADE Fe-500 CONFORMING TO I.S 1786.	5. MINIMUM LAP LENGTH OF BARS SHALL BE 50xD. LAPS IN BARS SHALL BE STAGGERED SUCH THAT NOT MORE THAN 50% OF BARS ARE LAPPED AT ANY ONE SECTION. 6. CLEAR COVER TO MAIN REINFORCEMENTS SHALL BE AS FOLLOWS:- (2) COLUMN =40MM (3) BEAM =30MM (4) SLAB =20MM	7. DO NOT SCALE READ ONLY WRITTEN DIMENSIONS. 8. (-----) SIGN SHOWS TOP BARS 9. (---) SIGN SHOWS BOTTOM BARS 10. (○) SIGN SHOWS SIMILAR SLAB PANNELS 11. (⊥) SIGN SHOWS SUNK SLAB PANNELS.
			DRAWN BY: Rahul CHKD. BY: D.BENIWAL SCALE: SCALE TO FIT DATE: 28.11.2022 DRG. TYPE: WORKING JOB CODE:	DRAWING NO. ST-05 SHEET NO-01 BLOCK ---					

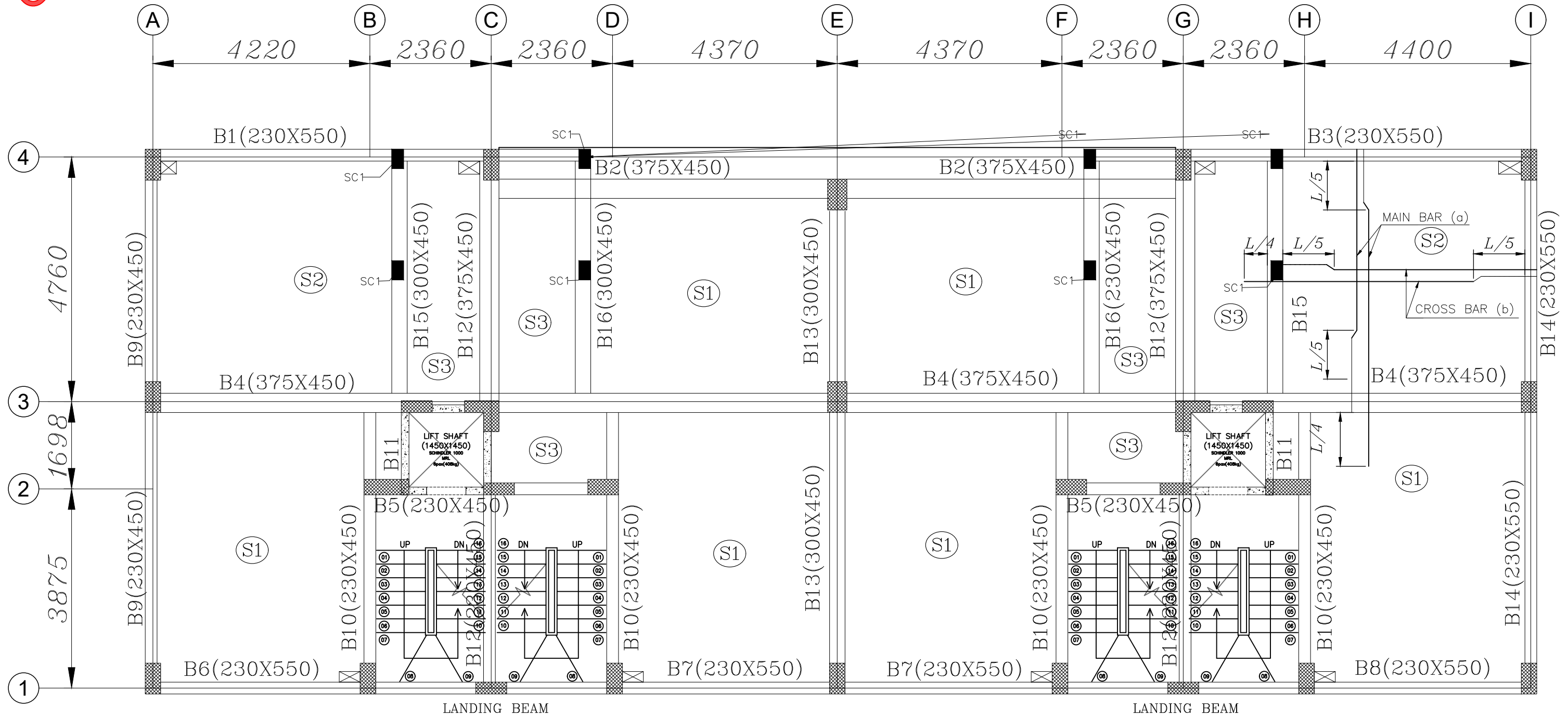


STEEL CHART FOR SLAB					
SLAB MARK	SLAB THK.	SUNKEN	MAIN BAR (a)	CROSS BAR (a)	TOP EXTRA BAR (C) (dia of bar)
S1	150 THK	NO SUNK	10#@150C/C	10#@200C/C	10#
S2	150 THK	NO SUNK	10#@125C/C	10#@175C/C	10#
S3	150 THK	NO SUNK	8#@150C/C	8#@175C/C	8#

TENDER DRAWING

PROJECT STAFF RESIDENCE FOR SET ON PLOTS 53/11,12,13,14 AT RAJINDER NAGAR	STRUCTURE CONSULTANT : Beniwal Associate Pvt. Ltd. Structural Engineers & Architects 7/2 Sarvapriya Vihar, Rear Basement, New Delhi 110016 Mob. +91-9810263434, 011-45542991 Email- bapldwarka@gmail.com	Arch. CONSULTANT : NITESH MINOCHA ARCHITECTS ARCHITECTURE INTERIOR DESIGN K-2115, C.R. PARK, NEW DELHI - 110019, INDIA TEL: 011-4909 3488, 4909 1688	REVISION: --00 DRAWN BY: Rahul CHKD. BY: D.BENIWAL SCALE: SCALE TO FIT DATE: 28.11.2022 DRG. TYPE: WORKING JOB CODE:	CLIENT : DRAWING NO. ST-04 SHEET NO-02 BLOCK: ---	NOTES:-- 1. ALL DIMENSIONS ARE IN MM. 2. READ THIS DRG. IN CONJUNCTION WITH ARCHITECTURAL DRAWINGS. 3. CONCRETE GRADE M25 SHALL BE USED FOR ALL R.C.C WORK 4. ALL R/F STEEL BARS SHALL BE H.Y.S.D BARS OF GRADE Fe-500 CONFORMING TO I.S 1786.	5. MINIMUM LAP LENGTH OF BARS SHALL BE 50xD. LAPS IN BARS SHALL BE STAGGERED SUCH THAT NOT MORE THAN 50% OF BARS ARE LAPPED AT ANY ONE SECTION. 6. CLEAR COVER TO MAIN REINFORCEMENTS SHALL BE AS FOLLOWS:-- (2) COLUMN =40MM (3) BEAM =30MM (4) SLAB =20MM	7. DO NOT SCALE READ ONLY WRITTEN DIMENSIONS. 8. (-----) SIGN SHOWS TOP BARS 9. (-----) SIGN SHOWS BOTTOM BARS 10. (○) SIGN SHOWS SIMILAR SLAB PANNELS 11. (◡) SIGN SHOWS SUNK SLAB PANNELS.
---	---	--	---	---	---	---	--

TENDER DRAWING



THIRD FLOOR ROOF SLAB 150MM THK. (U.N.O.)
 (DISTRIBUTION STEEL IN SLAB WHERE NOT SHOWN SHALL BE 8#@200C/C/ AT TOP)

PROJECT STAFF RESIDENCE FOR SET ON PLOTS 53/11,12,13,14 AT RAJINDER NAGAR
 TITLE THIRD FLOOR ROOF SLAB PLAN

STRUCTURE CONSULTANT : Beniwal Associate Pvt. Ltd.
 Structural Engineers & Architects
 7/2 Sarvapriya Vihar, Rear Basement, New Delhi 110016
 Mob. +91-9810263434, 011-45542991
 Email- bapldwarka@gmail.com

Arch. CONSULTANT : NITESH MINOCHA ARCHITECTS
 ARCHITECTURE INTERIOR DESIGN
 K-2115, C.R. PARK, NEW DELHI - 110019, INDIA
 TEL: 011-4909 3488, 4909 1688

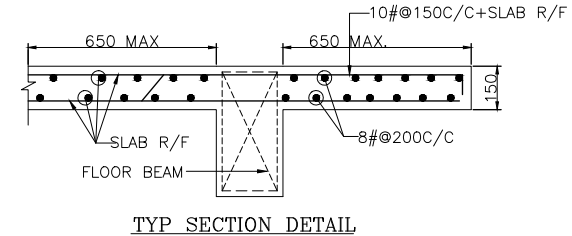
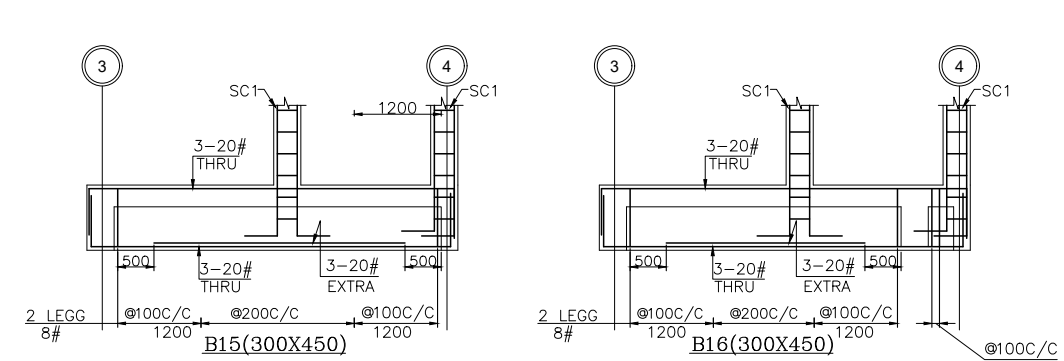
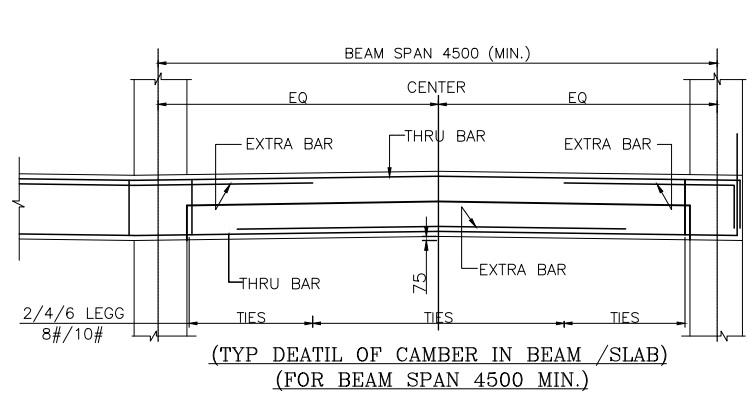
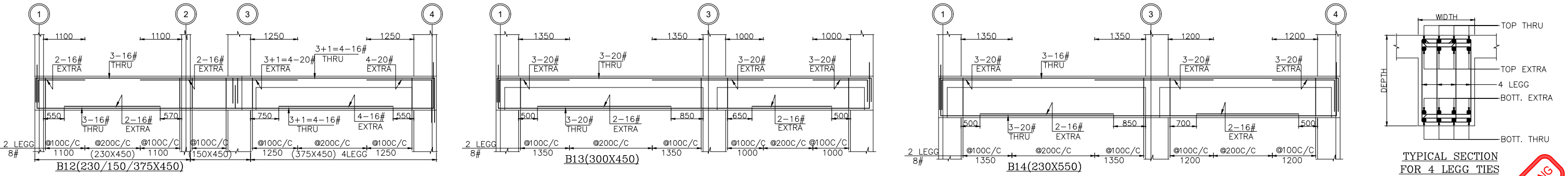
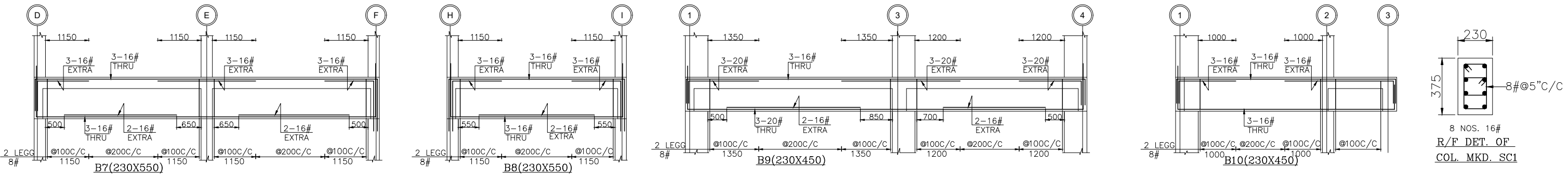
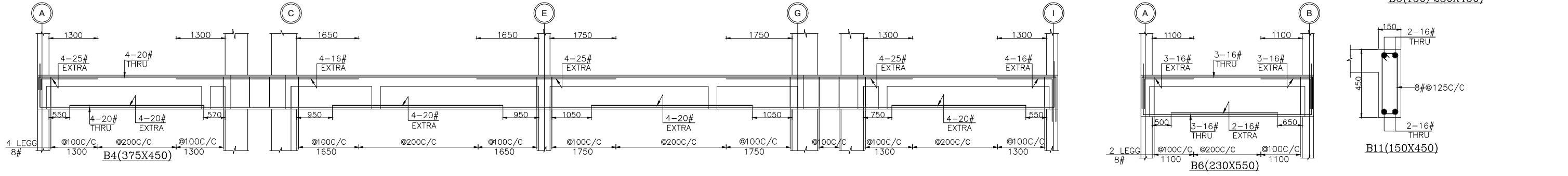
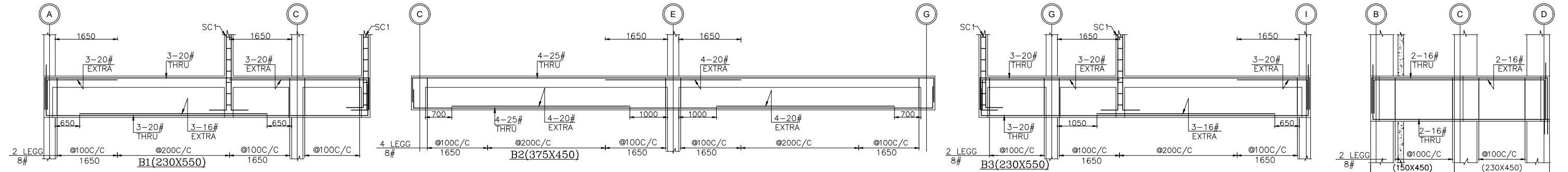
REVISION: -00
 DRAWN BY: Rahul
 CHKD. BY: D.BENIWAL
 SCALE: SCALE TO FIT
 DATE: 28.11.2022
 DRG. TYPE: WORKING
 JOB CODE:

CLIENT :
 DRAWING NO. ST-06
 SHEET NO-01
 BLOCK ---

NOTES:-
 1. ALL DIMENSIONS ARE IN MM.
 2. READ THIS DRG. IN CONJUNCTION WITH ARCHITECTURAL DRAWINGS.
 3. CONCRETE GRADE M25 SHALL BE USED FOR ALL R.C.C WORK
 4. ALL R/F STEEL BARS SHALL BE H.Y.S.D BARS OF GRADE Fe-500 CONFORMING TO I.S 1786.

5. MINIMUM LAP LENGTH OF BARS SHALL BE 50xD. LAPS IN BARS SHALL BE STAGGERED SUCH THAT NOT MORE THAN 50% OF BARS ARE LAPPED AT ANY ONE SECTION.
 6. CLEAR COVER TO MAIN REINFORCEMENTS SHALL BE AS FOLLOWS:-
 (2) COLUMN =40MM
 (3) BEAM =30MM
 (4) SLAB =20MM

7. DO NOT SCALE READ ONLY WRITTEN DIMENSIONS.
 8. (-----) SIGN SHOWS TOP BARS
 9. (---) SIGN SHOWS BOTTOM BARS
 10. (O) SIGN SHOWS SIMILAR SLAB PANNELS
 11. (L) SIGN SHOWS SUNK SLAB PANNELS.



DOUBLE SPACING OF MAIN OR CROSS BAR AT DISCONTINUOUS EDGE FOR ALL PANEL

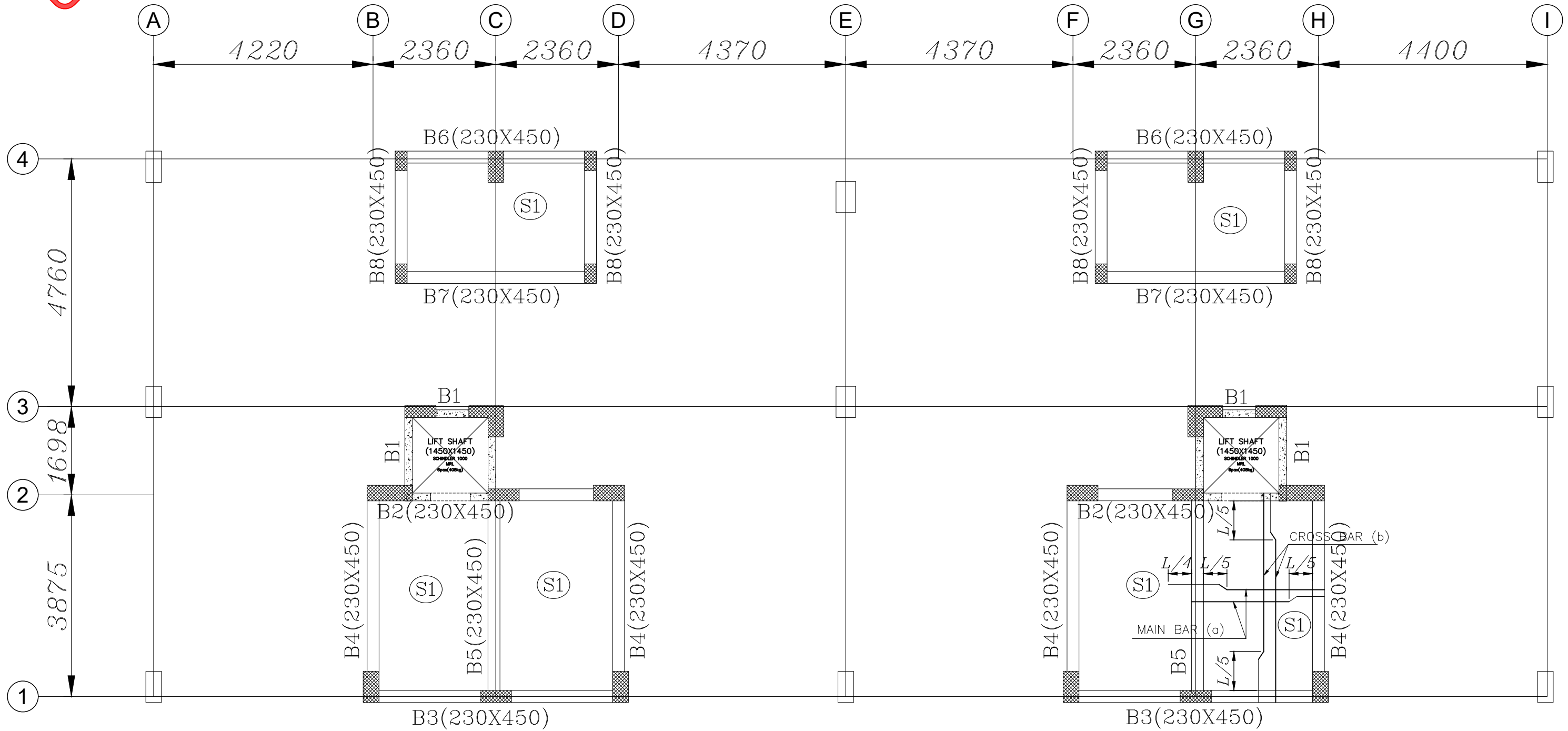
SLAB MARK	SLAB THK.	SUNKEN	MAIN BAR (a)	CROSS BAR (a)	TOP EXTRA BAR (C) (dia of bar)
S1	150 THK	NO SUNK	10#@150C/C	10#@200C/C	10#
S2	150 THK	NO SUNK	10#@125C/C	10#@175C/C	10#
S3	150 THK	NO SUNK	8#@150C/C	8#@175C/C	8#

SLAB THK.	SUNKEN	MAIN BAR (a)	CROSS BAR (a)	TOP EXTRA BAR (C) (dia of bar)
150 THK	NO SUNK	10#@150C/C	10#@200C/C	10#
150 THK	NO SUNK	10#@125C/C	10#@175C/C	10#
150 THK	NO SUNK	8#@150C/C	8#@175C/C	8#

TENDER DRAWING

PROJECT STAFF RESIDENCE FOR SET ON PLOTS 53/11,12,13,14 AT RAJINDER NAGAR	STRUCTURE CONSULTANT : Beniwal Associate Pvt. Ltd. Structural Engineers & Architects 7/2 Sarvapriya Vihar, Rear Basement, New Delhi 110016 Mob. +91-9810263434, 011-45542991 Email- bapldwarka@gmail.com	Arch. CONSULTANT : NITESH MINOCHA ARCHITECTS ARCHITECTURE INTERIOR DESIGN K-2115, CR. PARK, NEW DELHI - 110019, INDIA TEL: 011-4909 3488, 4909 1688	REVISION: -00 DRAWN BY: Rahul CHKD. BY: D.BENIWAL SCALE: SCALE TO FIT DATE: 28.11.2022 DRG. TYPE: WORKING JOB CODE:	CLIENT : DRAWING NO. ST-06 SHEET NO-02 BLOCK:	NOTES:- 1. ALL DIMENSIONS ARE IN MM. 2. READ THIS DRG. IN CONJUNCTION WITH ARCHITECTURAL DRAWINGS. 3. CONCRETE GRADE M25 SHALL BE USED FOR ALL R.C.C WORK 4. ALL R/F STEEL BARS SHALL BE H.Y.S.D BARS OF GRADE Fe-500 CONFORMING TO I.S 1786.	5. MINIMUM LAP LENGTH OF BARS SHALL BE 50xD. LAPS IN BARS SHALL BE STAGGERED SUCH THAT NOT MORE THAN 50% OF BARS ARE LAPPED AT ANY ONE SECTION. 6. CLEAR COVER TO MAIN REINFORCEMENTS SHALL BE AS FOLLOWS:- (2) COLUMN =40MM (3) BEAM =30MM (4) SLAB =20MM	7. DO NOT SCALE READ ONLY WRITTEN DIMENSIONS. 8. (-----) SIGN SHOWS TOP BARS 9. (-----) SIGN SHOWS BOTTOM BARS 10. (○) SIGN SHOWS SIMILAR SLAB PANNELS 11. (◡) SIGN SHOWS SUNK SLAB PANNELS.
---	--	---	--	---	--	--	--

TENDER DRAWING



MUMTY FLOOR ROOF SLAB 150MM THK. (U.N.O.)
 (DISTRIBUTION STEEL IN SLAB WHERE NOT SHOWN SHALL BE 8#@200C/C/ AT TOP)

PROJECT STAFF RESIDENCE FOR SET ON PLOTS 53/11,12,13,14 AT RAJINDER NAGAR
 TITLE MUMTY FLOOR ROOF SLAB PLAN

STRUCTURE CONSULTANT : Beniwal Associate Pvt. Ltd.
 Structural Engineers & Architects
 7/2 Sarvapriya Vihar, Rear Basement, New Delhi - 110016
 Mob. +91-9810263434, 011-45542991
 Email- bapldwarka@gmail.com

Arch. CONSULTANT : NITESH MINOCHA ARCHITECTS
 ARCHITECTURE INTERIOR DESIGN
 K-2115, C.R. PARK, NEW DELHI - 110019, INDIA
 TEL: 011-4909 3488, 4909 1688

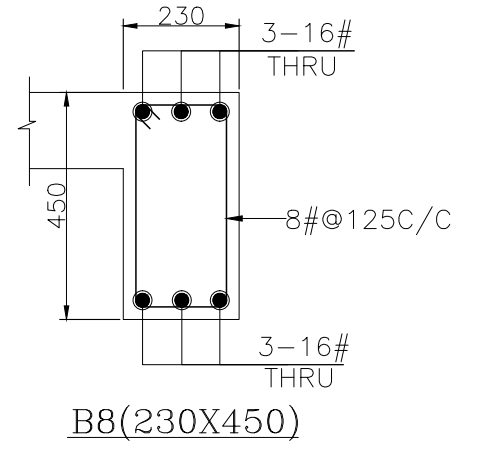
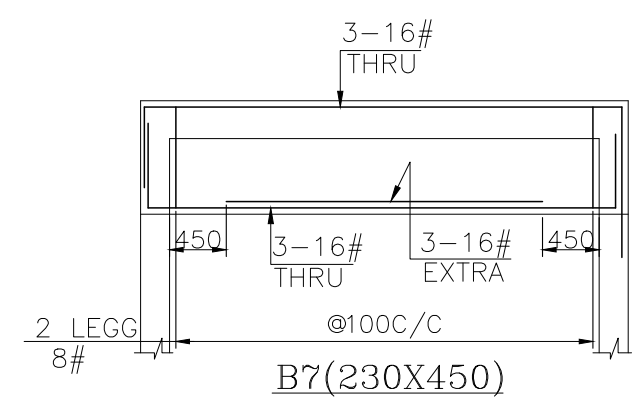
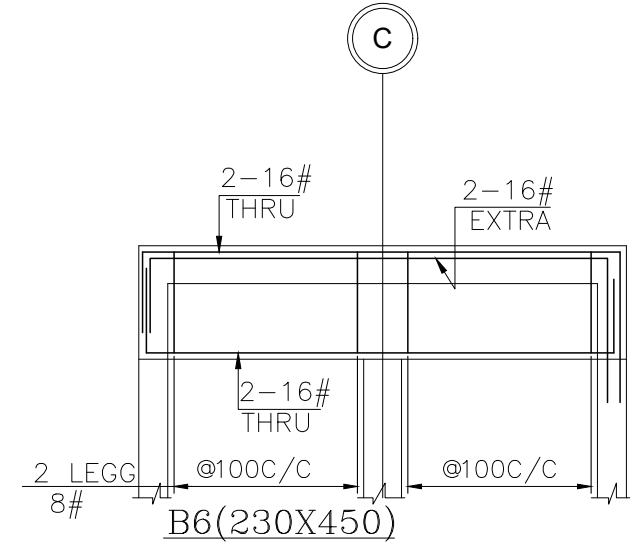
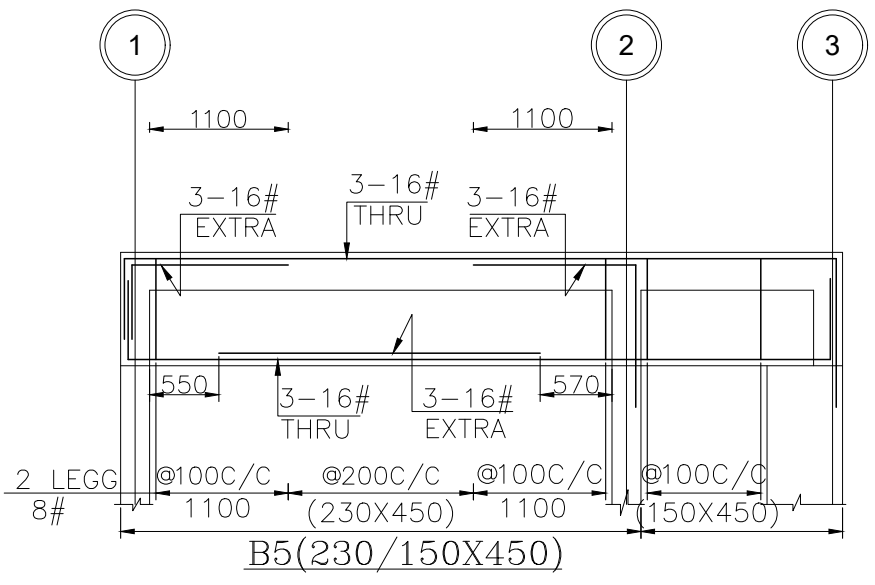
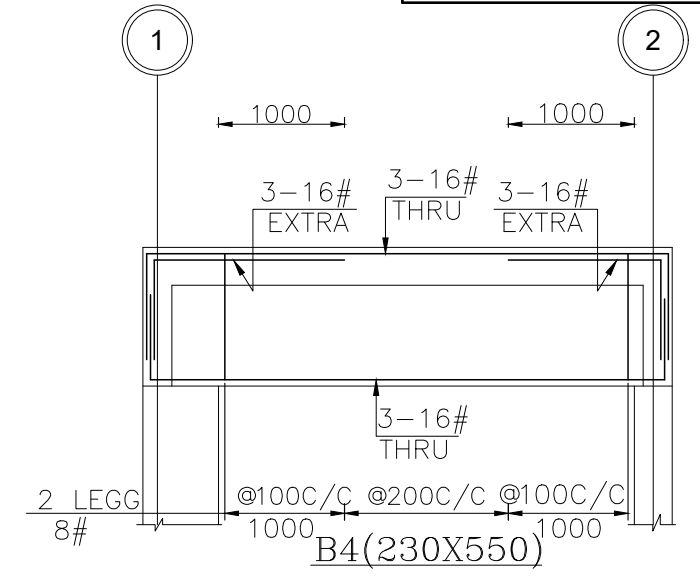
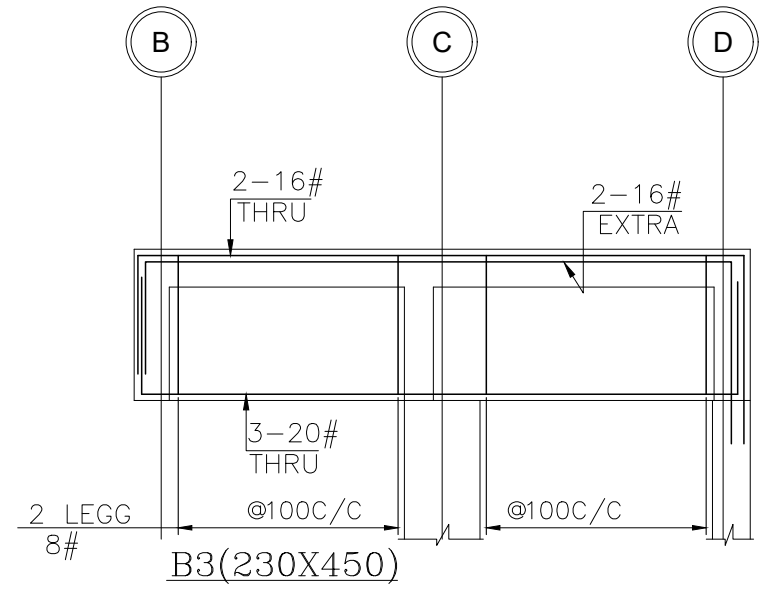
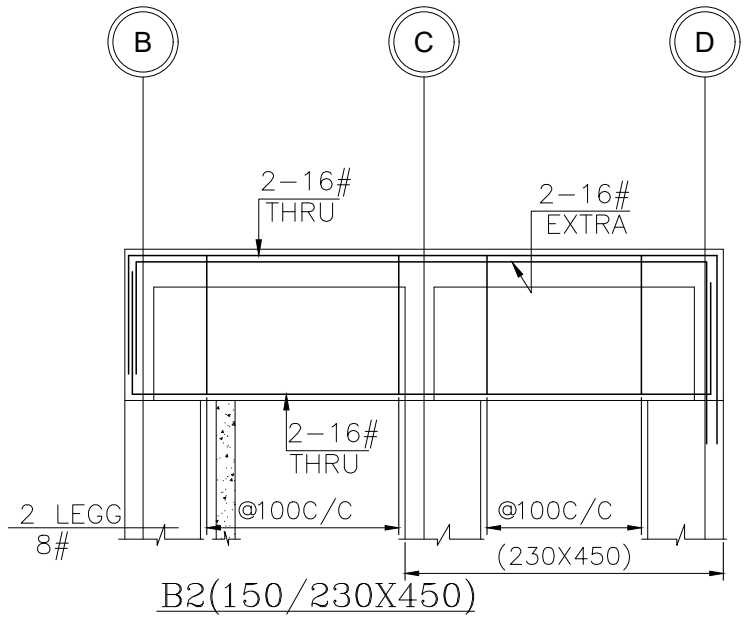
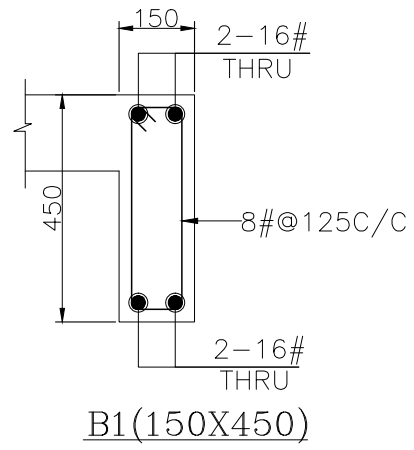
REVISION: -00
 DRAWN BY: Rahul
 CHKD. BY: D.BENIWAL
 SCALE: SCALE TO FIT
 DATE: 28.11.2022
 DRG. TYPE: WORKING
 JOB CODE:

CLIENT :
 DRAWING NO. ST-07
 SHEET NO-01
 BLOCK ---

NOTES:-
 1. ALL DIMENSIONS ARE IN MM.
 2. READ THIS DRG. IN CONJUNCTION WITH ARCHITECTURAL DRAWINGS.
 3. CONCRETE GRADE M25 SHALL BE USED FOR ALL R.C.C WORK
 4. ALL R/F STEEL BARS SHALL BE H.Y.S.D BARS OF GRADE Fe-500 CONFORMING TO I.S 1786.

5. MINIMUM LAP LENGTH OF BARS SHALL BE 50xD. LAPS IN BARS SHALL BE STAGGERED SUCH THAT NOT MORE THAN 50% OF BARS ARE LAPPED AT ANY ONE SECTION.
 6. CLEAR COVER TO MAIN REINFORCEMENTS SHALL BE AS FOLLOWS:-
 (2) COLUMN =40MM
 (3) BEAM =30MM
 (4) SLAB =20MM

7. DO NOT SCALE READ ONLY WRITTEN DIMENSIONS.
 8. (-----) SIGN SHOWS TOP BARS
 9. (---) SIGN SHOWS BOTTOM BARS
 10. ○ SIGN SHOWS SIMILAR SLAB PANNELS
 11. ▭ SIGN SHOWS SUNK SLAB PANNELS.



TENDER DRAWING

DOUBLE SPACING OF MAIN OR CROSS BAR AT DISCONTINUOUS EDGE FOR ALL PANEL

STEEL CHART FOR SLAB					
SLAB MARK	SLAB THK.	SUNKEN	MAIN BAR (a)	CROSS BAR (a)	TOP EXTRA BAR (C) (dia of bar)
S1	150 THK	NO SUNK	10#@200C/C	8#@175C/C	10#/8#

PROJECT STAFF RESIDENCE FOR SET ON PLOTS 53/11,12,13,14 AT RAJINDER NAGAR	STRUCTURE CONSULTANT : Benival Associate Pvt. Ltd. Structural Engineers & Architects 7/2 Sarvapriya Vihar, Rear Basement, New Delhi 110016 Mob. +91-9810263434, 011-45542991 Email- bapldwarka@gmail.com	Arch. CONSULTANT : NITESH MINOCHA ARCHITECTS ARCHITECTURE INTERIOR DESIGN K-2115, C.R. PARK, NEW DELHI - 110019, INDIA TEL: 011-4909 3488, 4909 1688	REVISION: -00 DRAWN BY: Rahul CHKD. BY: D.BENIWAL SCALE: SCALE TO FIT DATE: 28.11.2022 DRG. TYPE: WORKING JOB CODE:	CLIENT : DRAWING NO. ST-07 SHEET NO-02 BLOCK: ---	NOTES:- 1. ALL DIMENSIONS ARE IN MM. 2. READ THIS DRG. IN CONJUNCTION WITH ARCHITECTURAL DRAWINGS. 3. CONCRETE GRADE M25 SHALL BE USED FOR ALL R.C.C WORK 4. ALL R/F STEEL BARS SHALL BE H.Y.S.D BARS OF GRADE Fe-500 CONFORMING TO I.S 1786.	5. MINIMUM LAP LENGTH OF BARS SHALL BE 50xD. LAPS IN BARS SHALL BE STAGGERED SUCH THAT NOT MORE THAN 50% OF BARS ARE LAPPED AT ANY ONE SECTION. 6. CLEAR COVER TO MAIN REINFORCEMENTS SHALL BE AS FOLLOWS:- (2) COLUMN =40MM (3) BEAM =30MM (4) SLAB =20MM	7. DO NOT SCALE READ ONLY WRITTEN DIMENSIONS. 8. (-----) SIGN SHOWS TOP BARS 9. (——) SIGN SHOWS BOTTOM BARS 10. ○ SIGN SHOWS SIMILAR SLAB PANNALS 11. ▽ SIGN SHOWS SUNK SLAB PANNALS.
---	---	--	--	---	--	--	---